

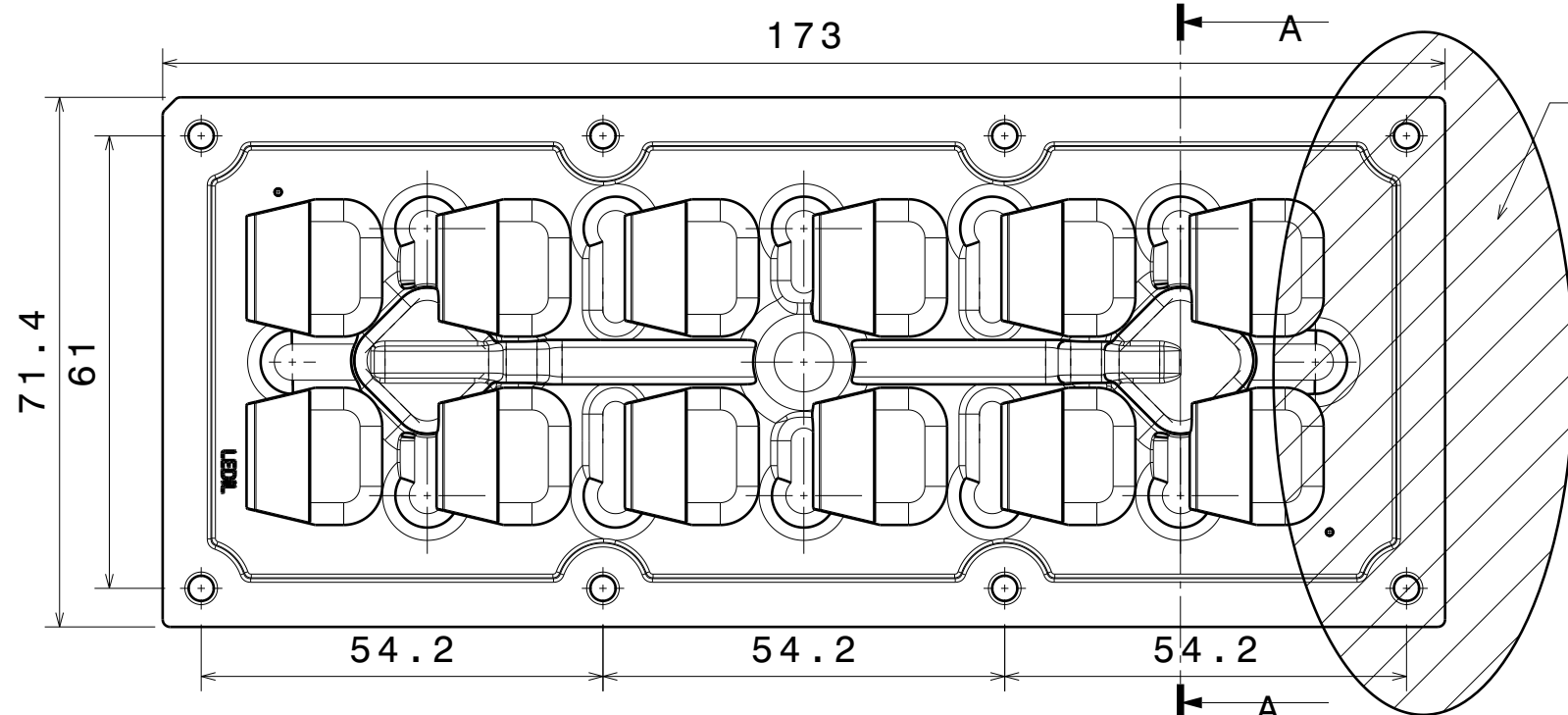
DETAILS

Product Number	CS15362_STRADA-IP-2X6-T3-B
Family	Strada
Type	Assembly
Color	clear
Diameter	71,4x173 mm
Height	12,75 mm
Style	rectang
Optic Material	PMMA
Holder Material	
Fastening	screw
Status	production ready
ROHS Compliant	Yes
Date Updated	8/09/2016



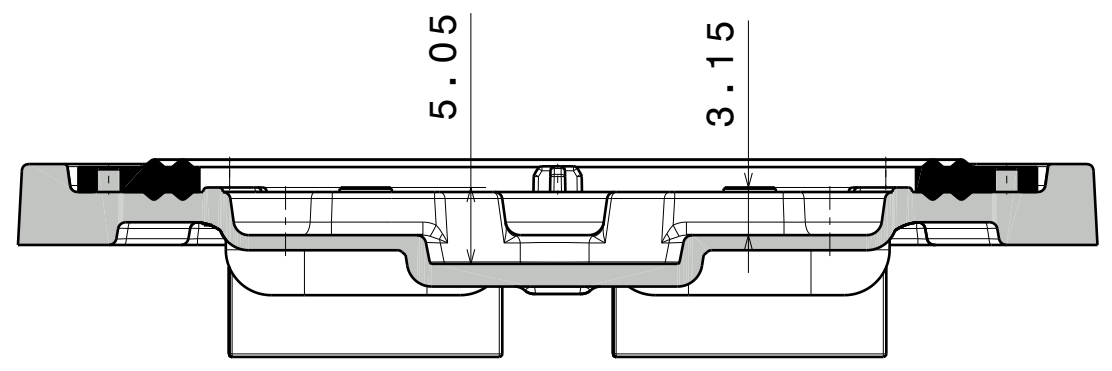
OPTICAL PROPERTIES

LED	Viewing	Light	Effi-	cd/lm	Connector
	Angle	Beam	ciency		
XT-E	Asymmetric deg	Asymmetric	94 %	0.650	-
XP-G2	Asymmetric deg	Asymmetric	94 %	0.660	-
XP-L	Asymmetric deg	Asymmetric	93 %	0.540	-
XP-L2	Asymmetric deg	Asymmetric	94 %	0.540	-
H35C1 (LEMWA33)	Asymmetric deg	Asymmetric	94 %	0.590	-
LUXEON T	Asymmetric deg	Asymmetric	94 %	0.680	-
Duris S8	sim: Asymmetri	Asymmetric	sim: 96 %	-	-
LH351Z	sim: Asymmetri	Asymmetric	sim: 96 %	-	-
LH351B	sim: Asym	Asymmetric	sim: 93 %	sim: 0.530	-
LH351D	sim: Asym	Asymmetric	sim: 93 %	sim: 0.480	-
Z5M1/Z5M2	sim: Asymmetri	Asymmetric	sim: 90 %	sim: 0.770	-
Z8Y22P	Asymmetric deg	Asymmetric	94 %	0.630	-

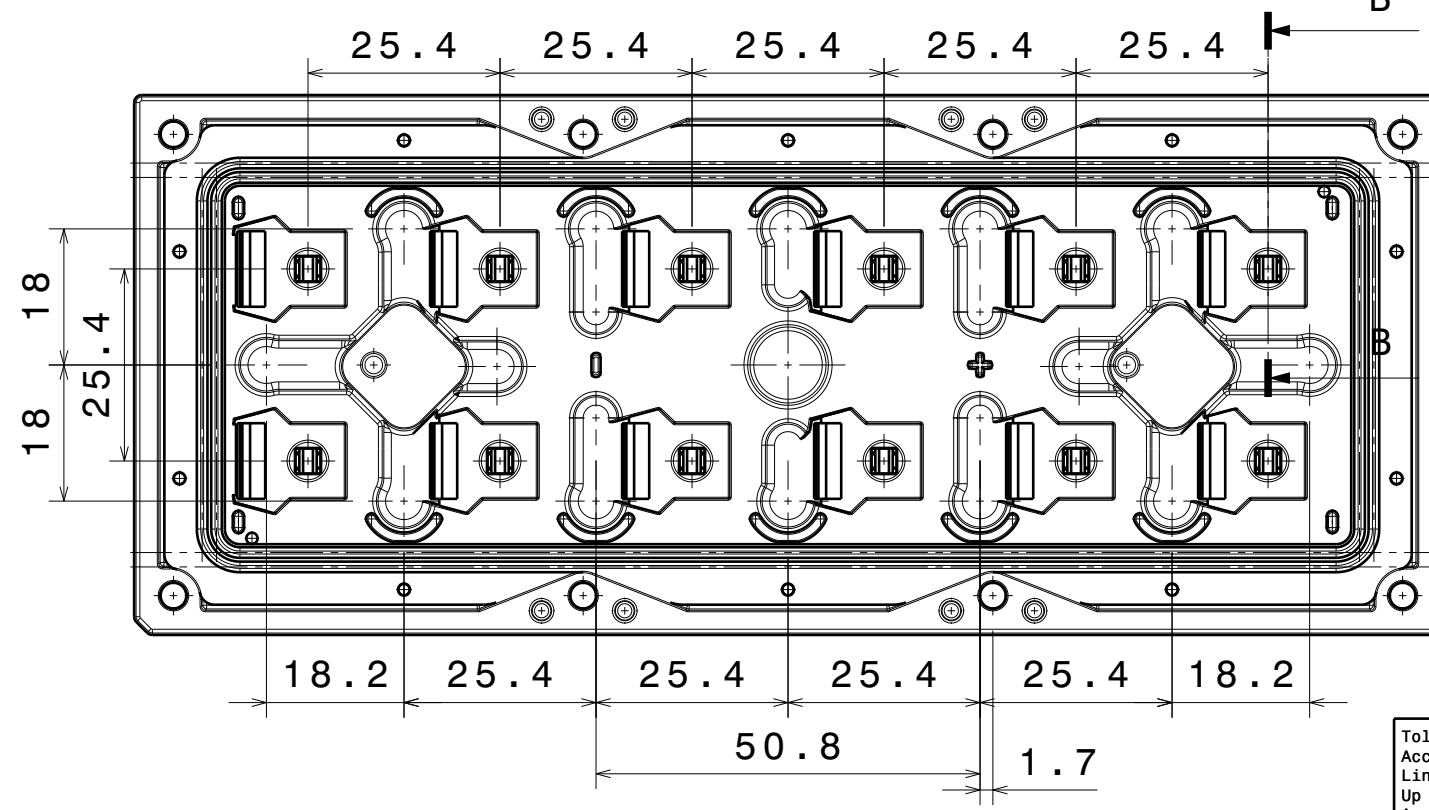


Top view
Scale: 1:1

Beam direction



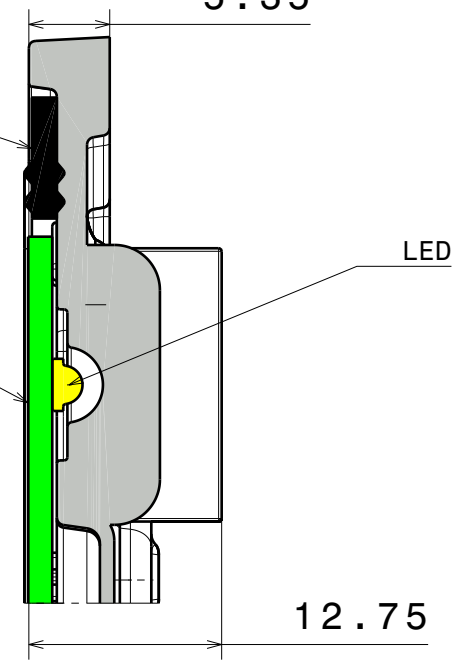
Section view A-A
Scale: 2:1



Bottom view
Scale: 1:1

Silicon seal with ribs

1,6mm thick PCB



Section view B-B
Scale: 2:1

INDEX	PART NO	DESCRIPTION	MATERIAL	COLOUR
1	C14018	2X6-SEAL25	PMMA	Clear
2	C15360	STRADA-IP-2X6-T3-B	Silicone	White

Tolerances if not otherwise shown
According to DIN ISO 2768-1
Linear measures:
Up to 30mm class M, otherwise class C.
According to DIN ISO 2768-2
Form and position: class L

LEDiL Ledil Oy
Salorankatu 10
FIN 24240 SALO
Finland

THIRD ANGLE PROJECTION:

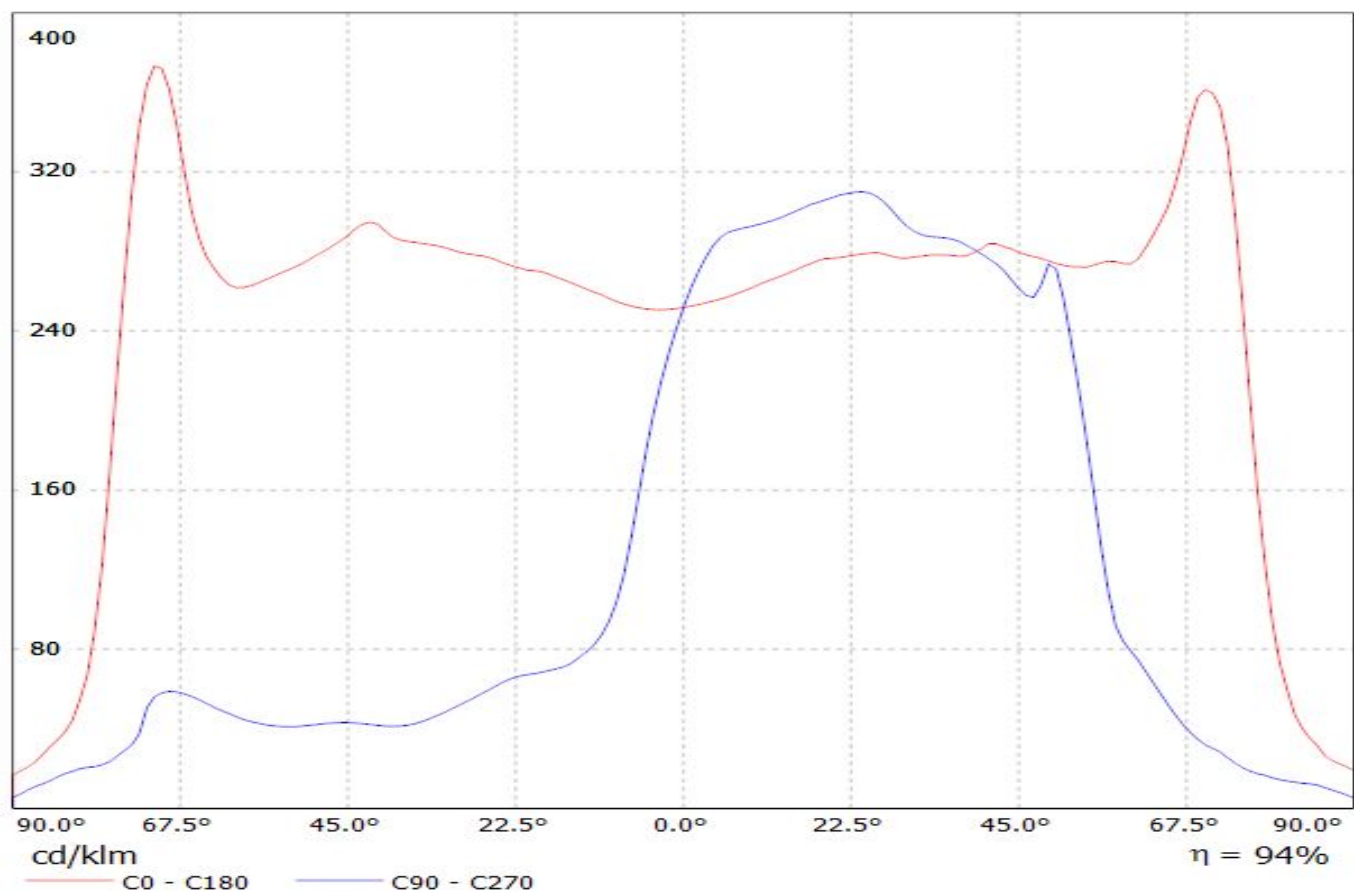
DRAWING TITLE
CS15362_STRADA-IP-2X6-T3-B

This drawing is the property of LEDiL Oy. It may not be reproduced, copied or communicated without a written agreement with LEDiL Oy.

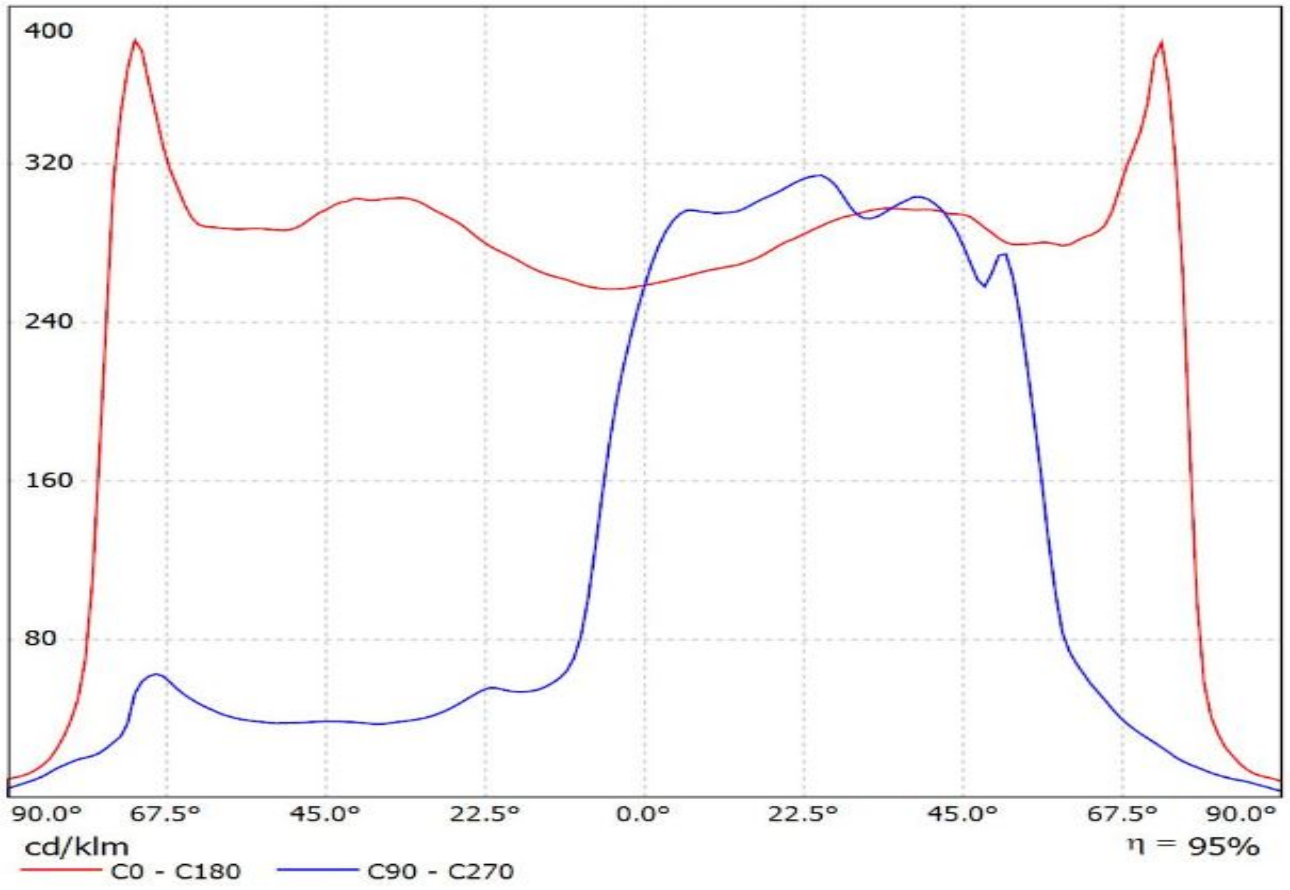
SIZE PART NUMBER
A3 CS15362

SCALE 1:1 WEIGHT SHEET 1/1

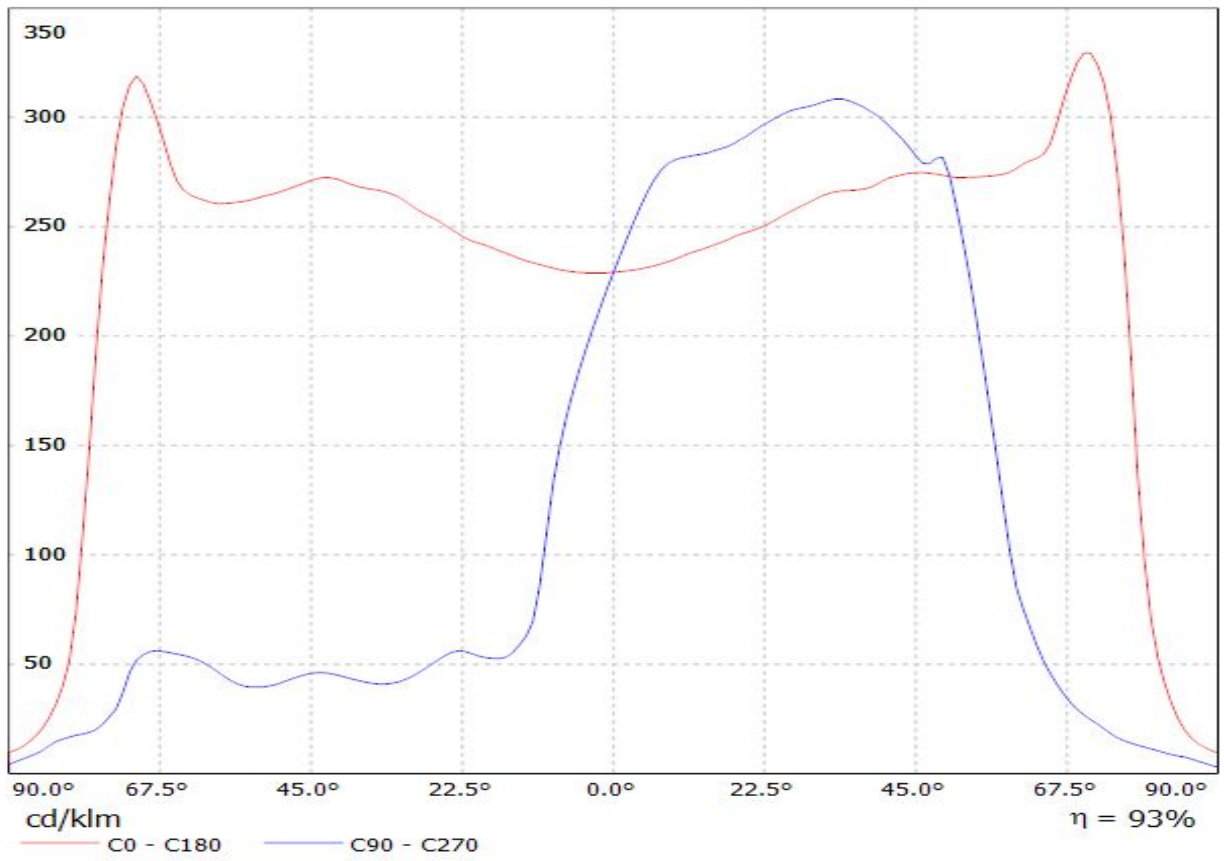
Luminaire: Ledil CS15362_STRADA-IP-2X6-T3-B_(XT-E)
Lamps: 1 x Cree_XT-E_1280.48lm@250mA_P=8.94575W_I=0.250A



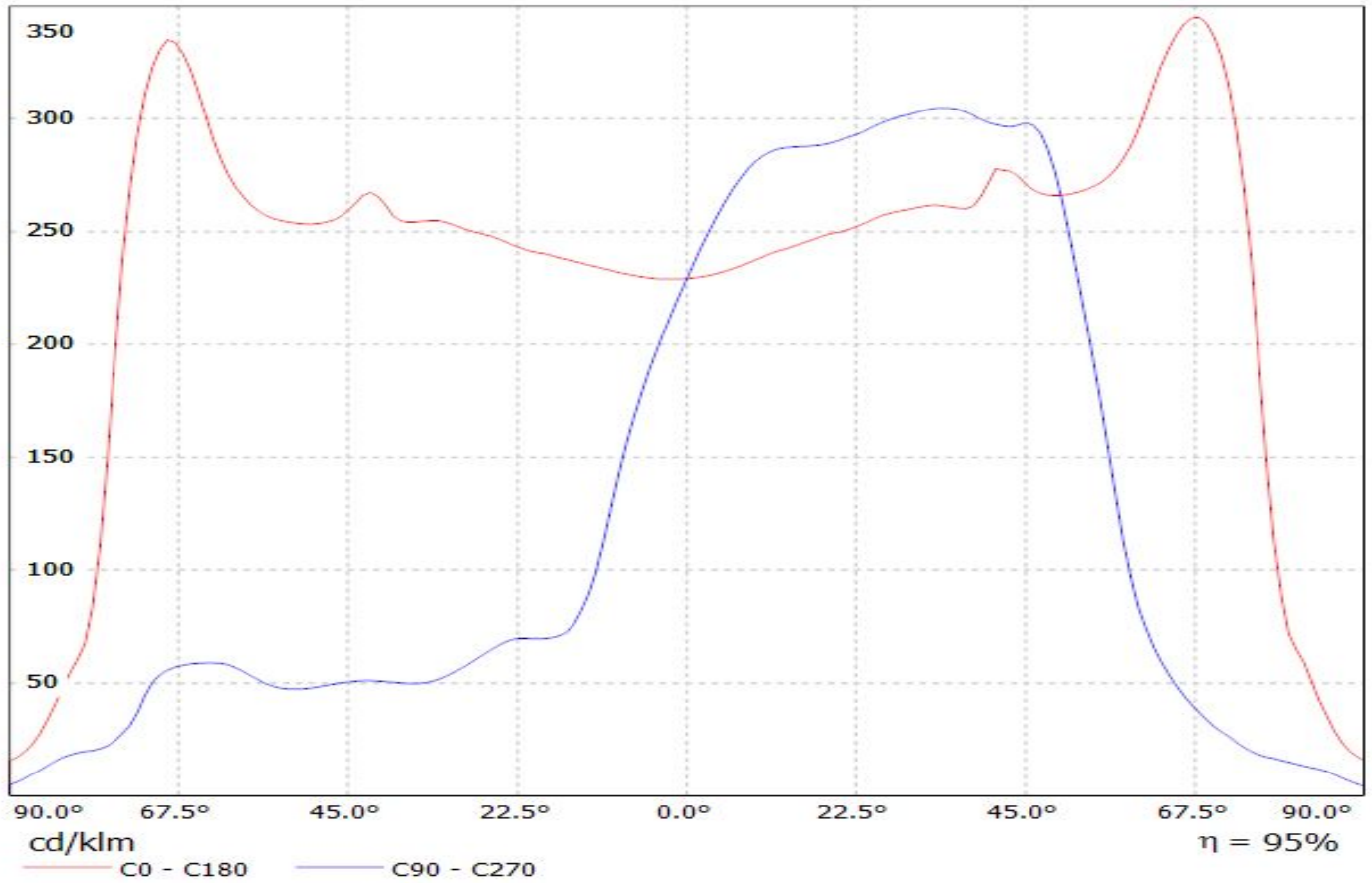
Luminaire: Ledil CS15360_STRADA-IP-2X6-T3-B_(XP-G2)_Cav1
Lamps: 1 x Cree_XP-G2_1264.35lm@250mA_P=8.6415W_ι=0.250A



Luminaire: LEDiL Oy CS15362_STRADA-IP-2X6-T3-B_(XP-L)
Lamps: 1 x Cree_XP-L_(XPLAWT-0-7A3-U50-0H-0001)_1258.85lm@250mA_P=8.27562W_I=0.250A

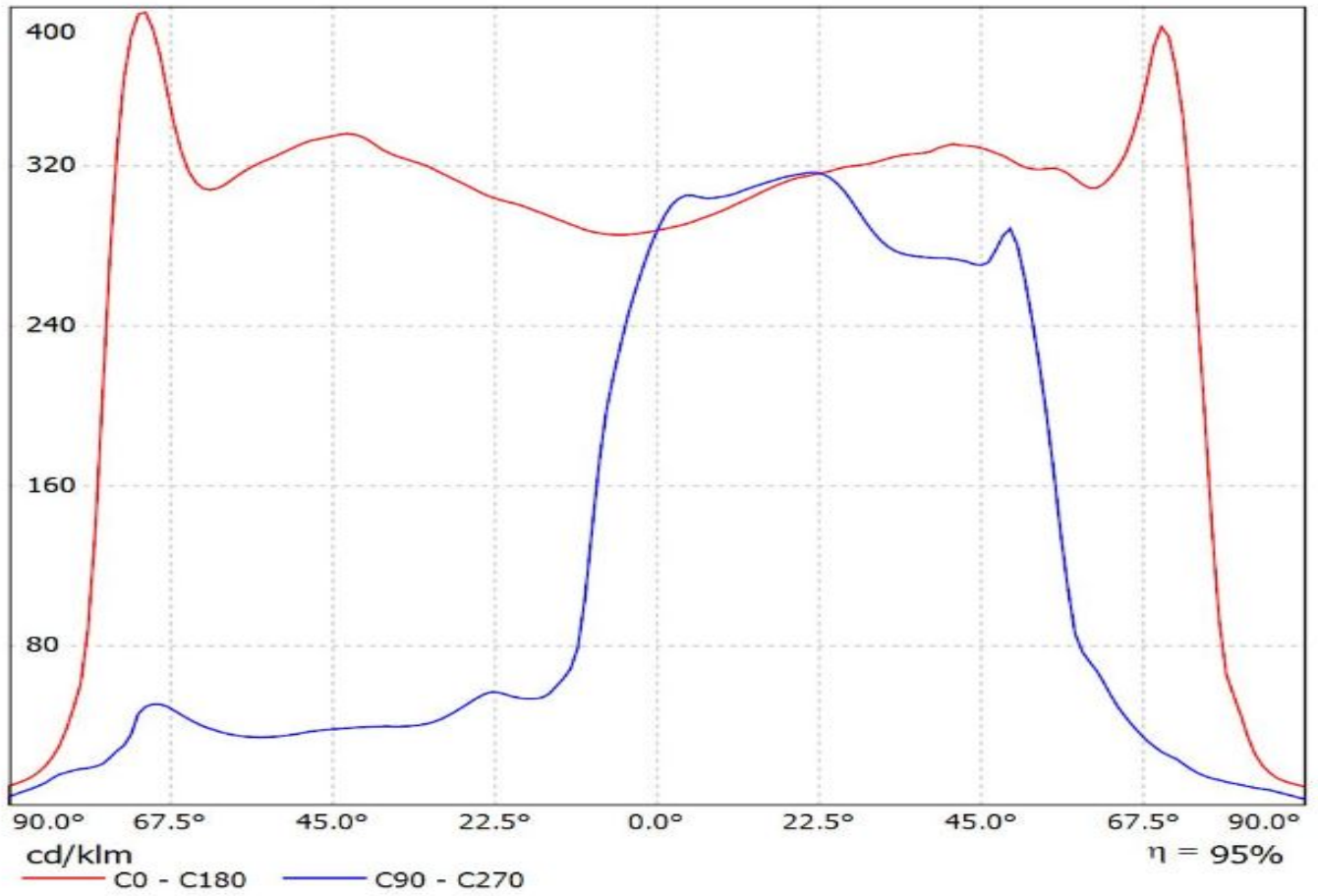


Luminaire: Ledil CS15362_STRADA-IP-2X6-T3-B_(XP-L2)
Lamps: 1 x Cree_XP-L2x12_(XPGWWT-H1-3B0-R5-0-01)
1666.32lm@250mA_CCT=5000_P=8.239W_I=0.25A

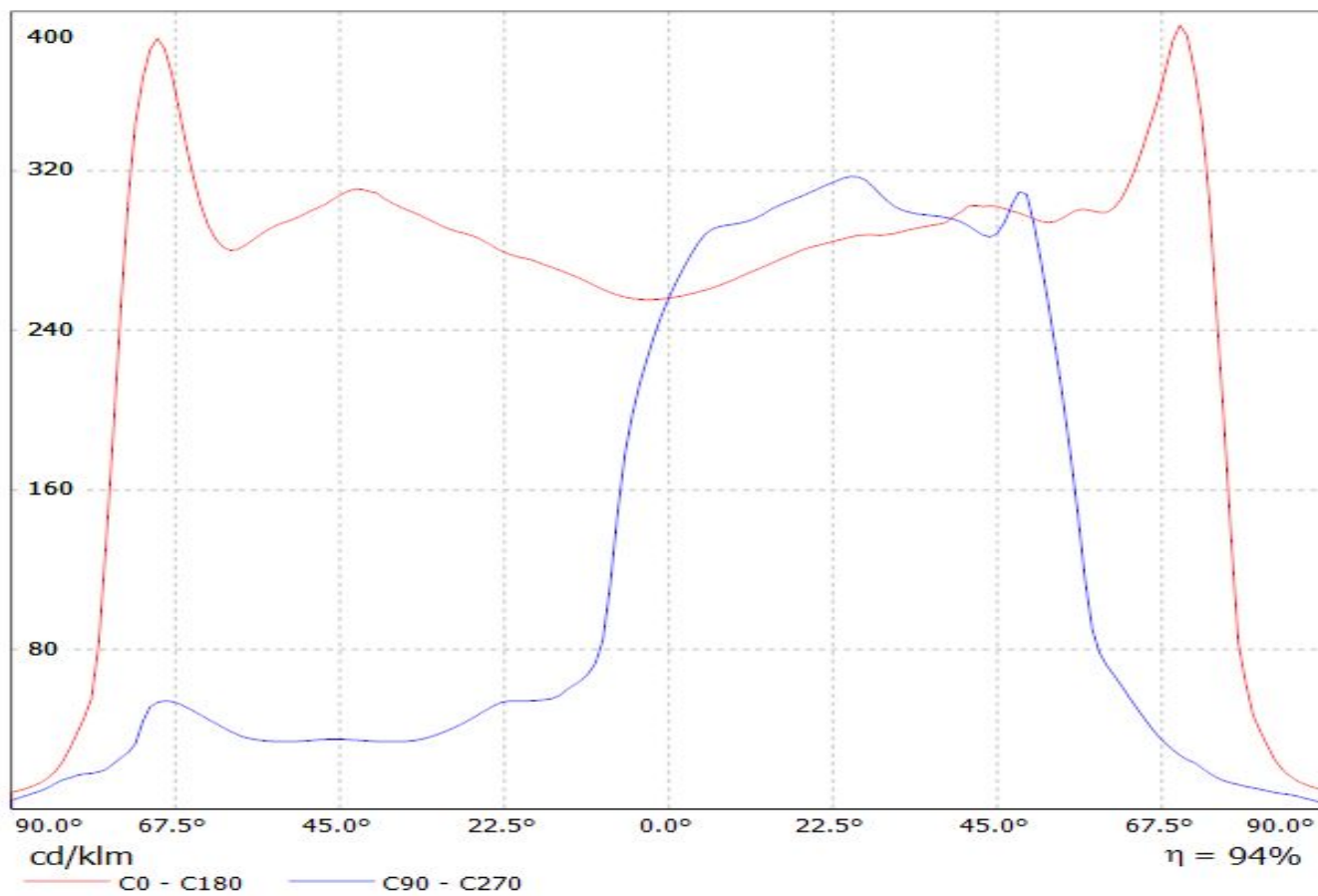


Luminaire: Ledil CS15362_STRADA-IP-2X6-T3-B_(H35C1)

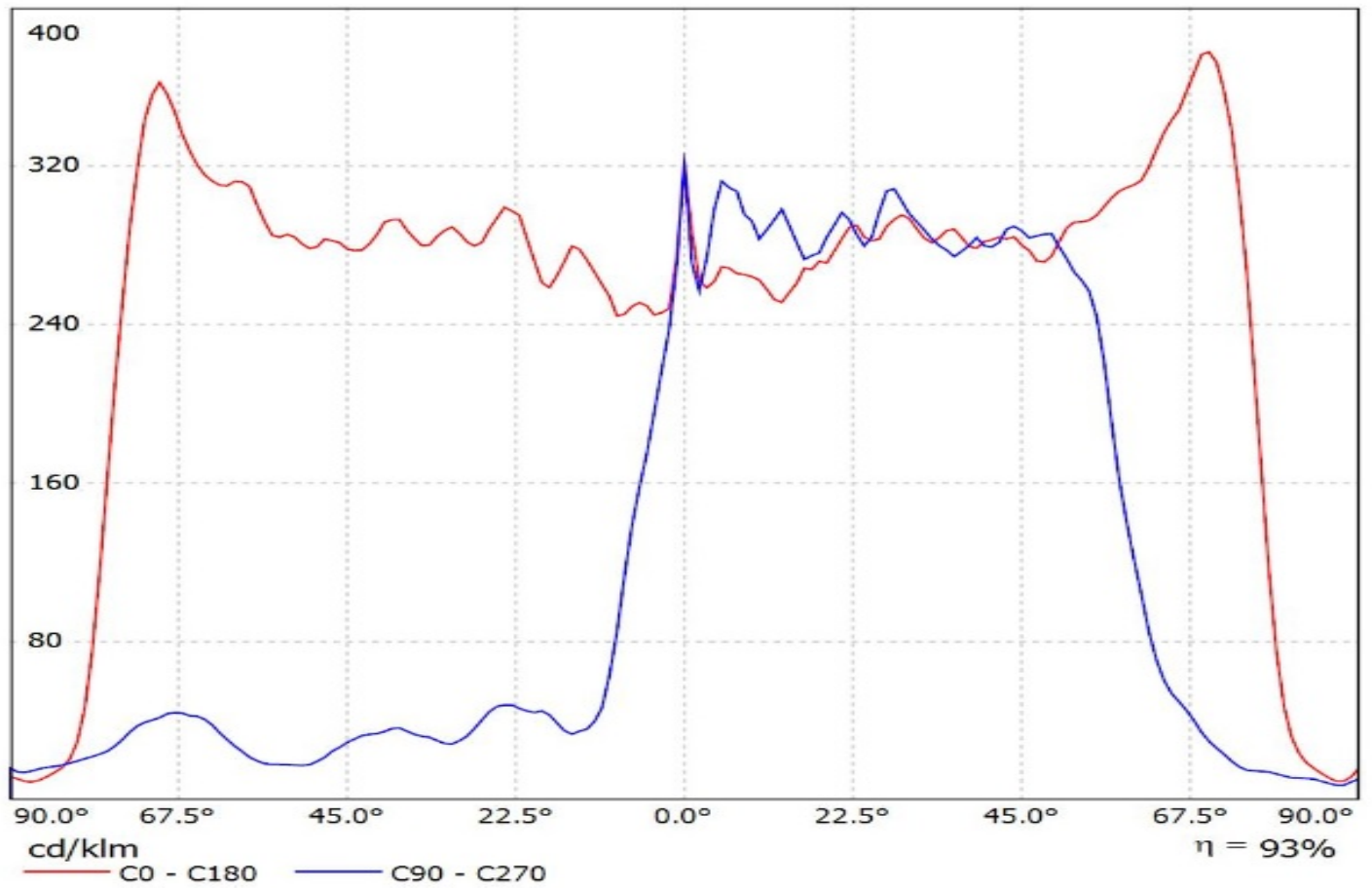
Lamps: 1 x LG_H35C1_2x6_1389.53lm@250mA_CCT=5700_P=8.59425W_I=0.250A



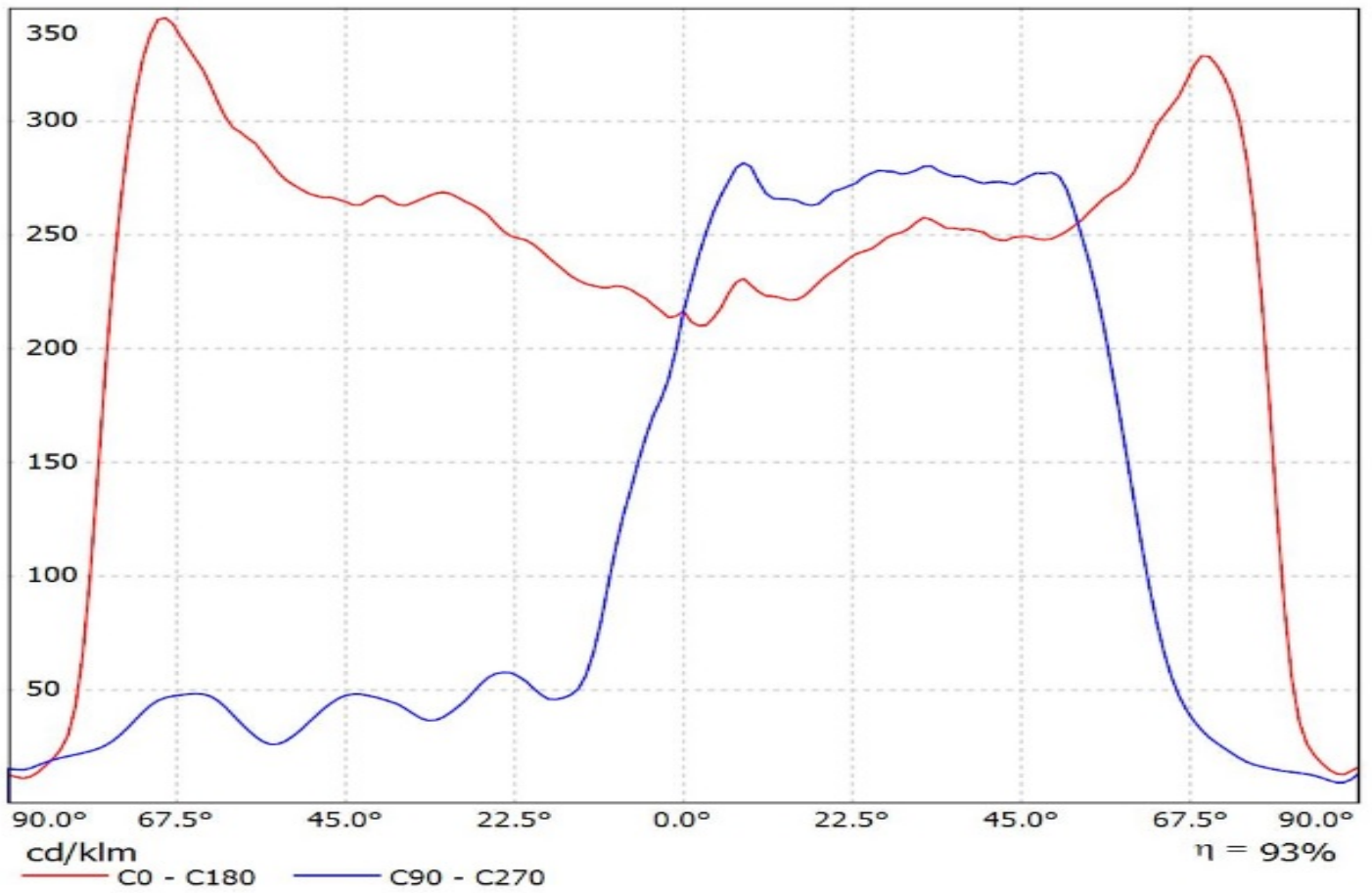
Luminaire: LEDiL Oy CS15362_STRADA-IP-2X6-T3-B_(Luxeon_T)
Lamps: 1 x Luxeon_T_(LXH8-FW30)_1040.41lm@250mA_P=8.49754W_I=0.250A



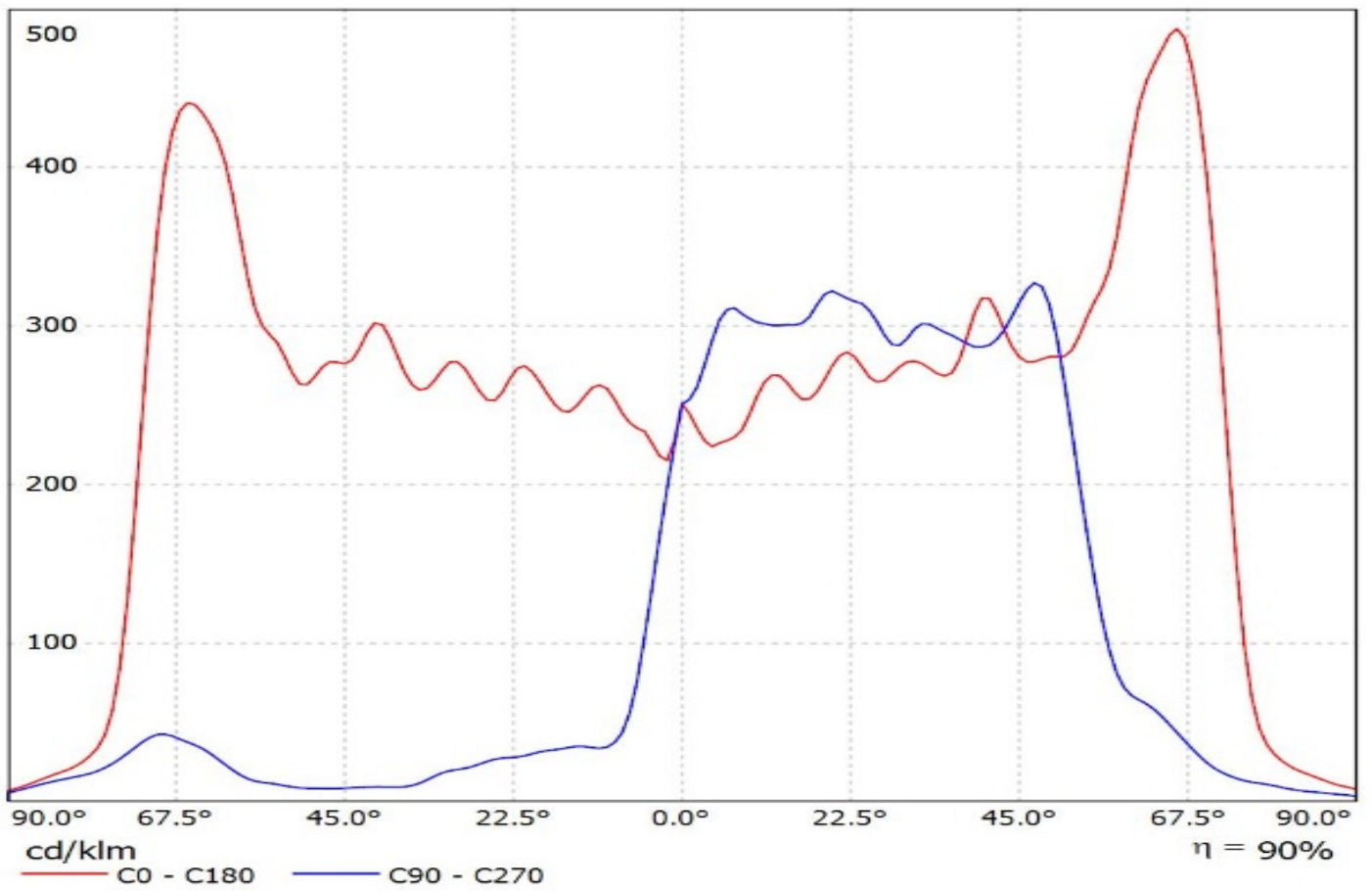
Luminaire: Ledil Oy CS15362_STRADA-IP-2X6-T3-B_(LH351B)_SIMULATED
Lamps: 1 x Samsung LH351B



Luminaire: Ledil Oy CS15362_STRADA-IP-2X6-T3-B_(LH351D)_SIMULATED
Lamps: 1 x Samsung LH351D

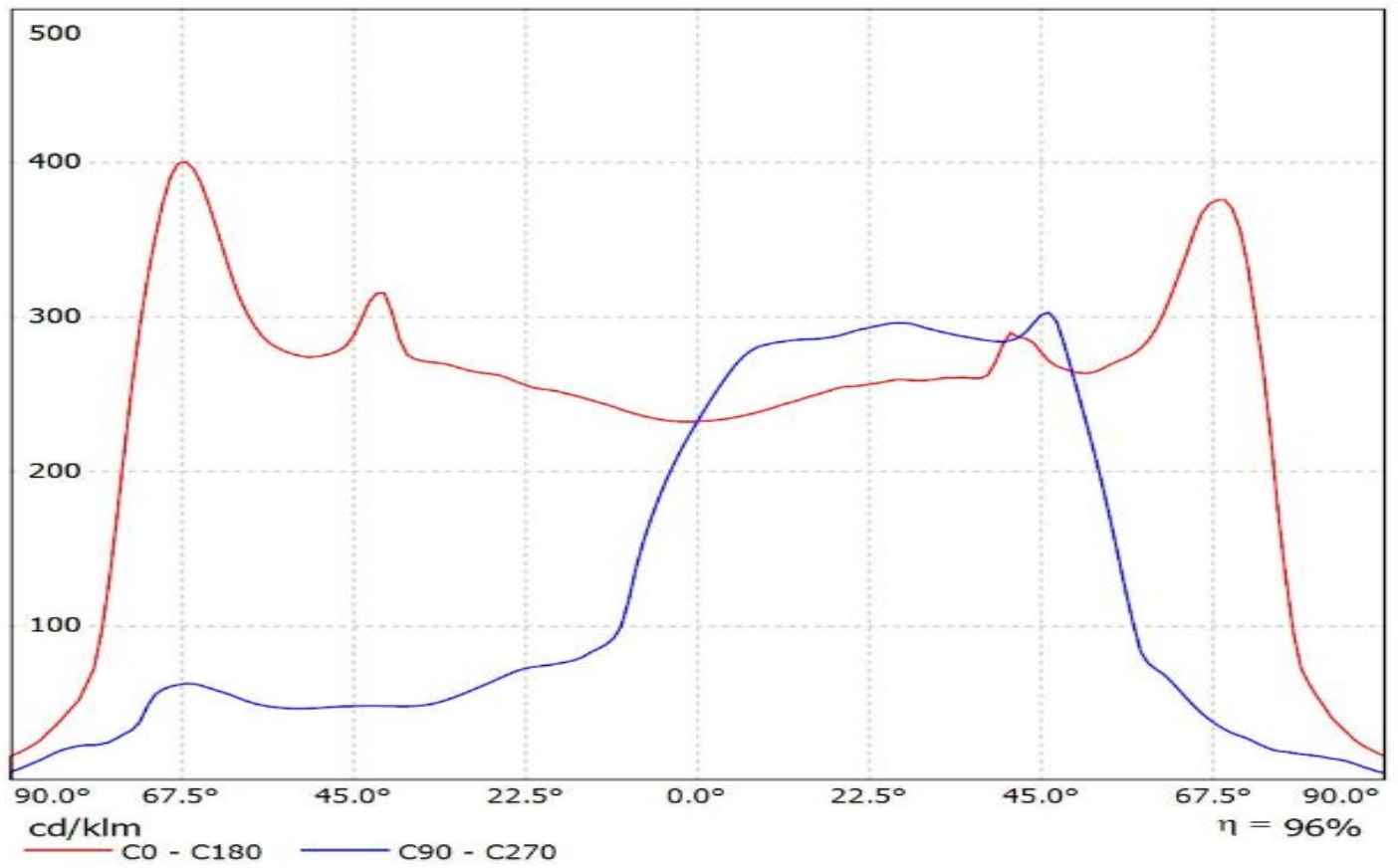


Luminaire: Ledil Oy PRELIMINARY_CS15362_STRADA-IP-2X6-T3-B_(Z5M1)_SIMULATED
Lamps: 1 x Seoul Z5M1

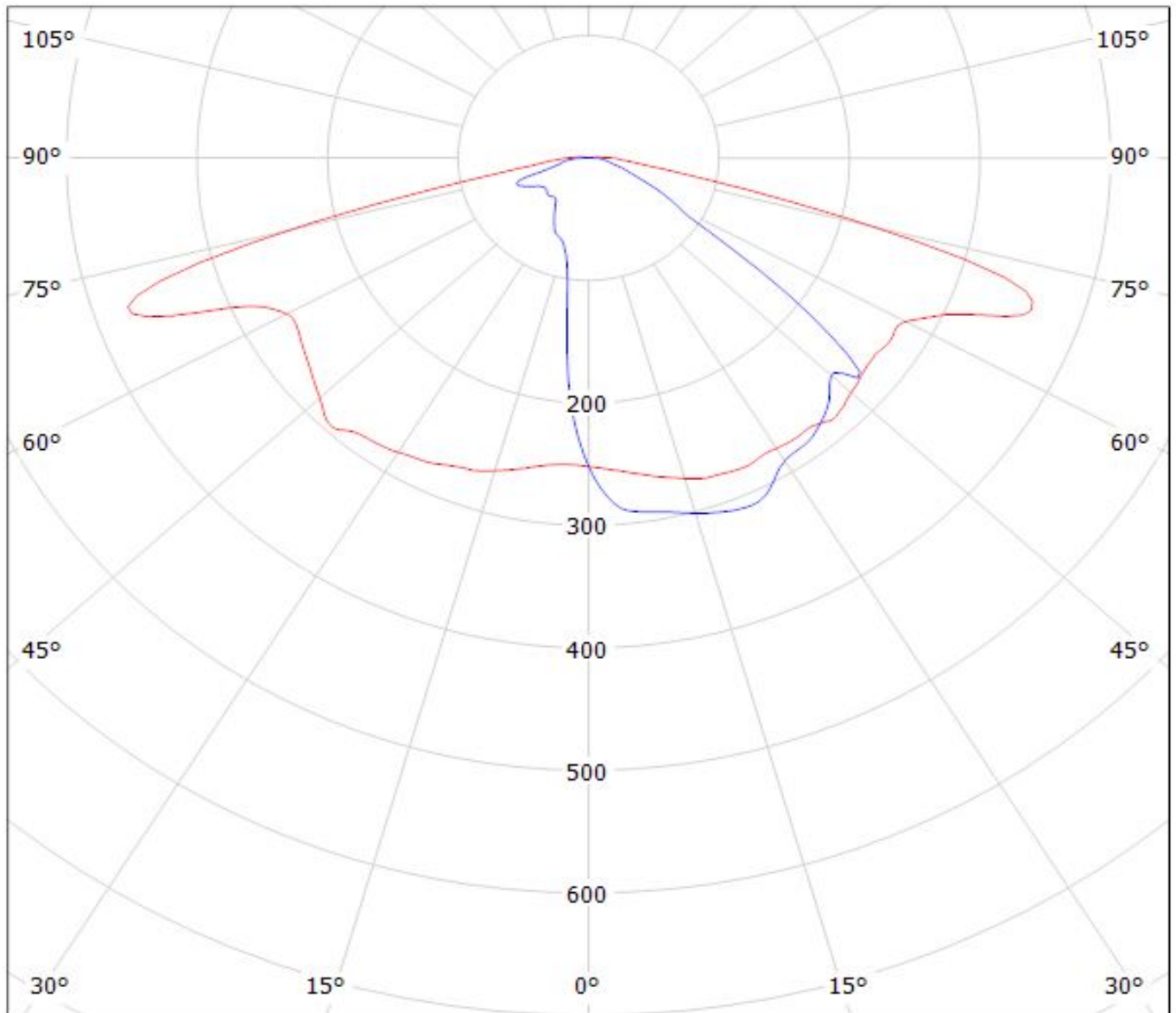


Luminaire: Ledil CS15362_STRADA-IP-2X6-T3-B_(Z8Y22_PLUS)

Lamps: 1 x Seoul_Z8Y22_PLUS_2X6_(SZ8-Y22-W0-C7P)1489.65lm@250mA_P=8.30675W_I=0.250A



Luminaire: Ledil CS15362_STRADA-IP-2X6-T3-B_(XT-E)
Lamps: 1 x Cree_XT-E_1280.48lm@250mA_P=8.94575W_I=0.250A

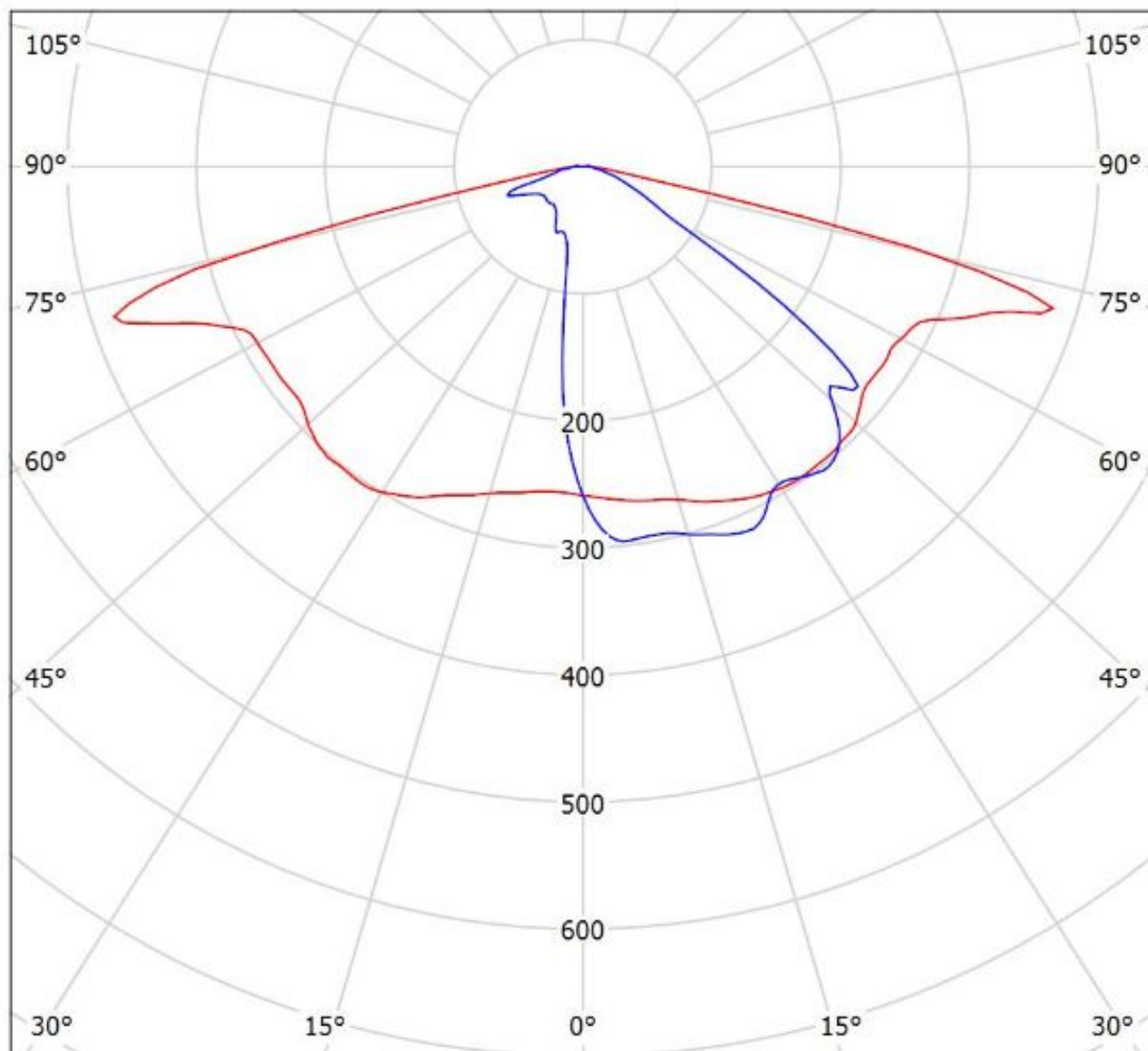


cd/klm

$\eta = 94\%$

— C0 - C180 — C90 - C270

Luminaire: Ledil CS15360_STRADA-IP-2X6-T3-B_(XP-G2)_Cav1
Lamps: 1 x Cree_XP-G2_1264.35lm@250mA_P=8.6415W_I=0.250A



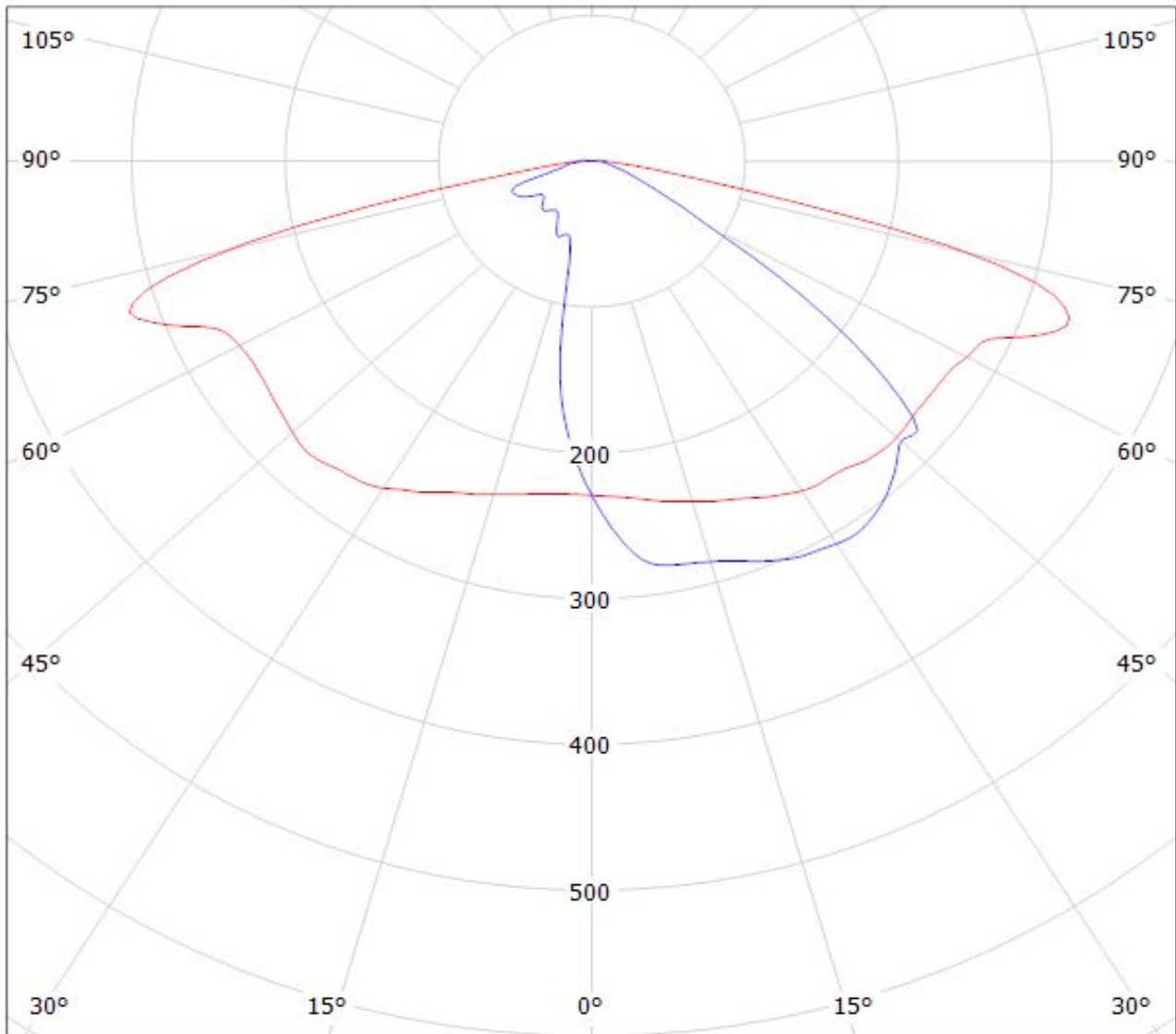
cd/klm

— C0 - C180 — C90 - C270

$\eta = 95\%$

Luminaire: LEDiL Oy CS15362_STRADA-IP-2X6-T3-B_(XP-L)

Lamps: 1 x Cree_XP-L_(XPLAWT-0-7A3-U50-0H-0001)_1258.85lm@250mA_P=8.27562W_I=0.250A



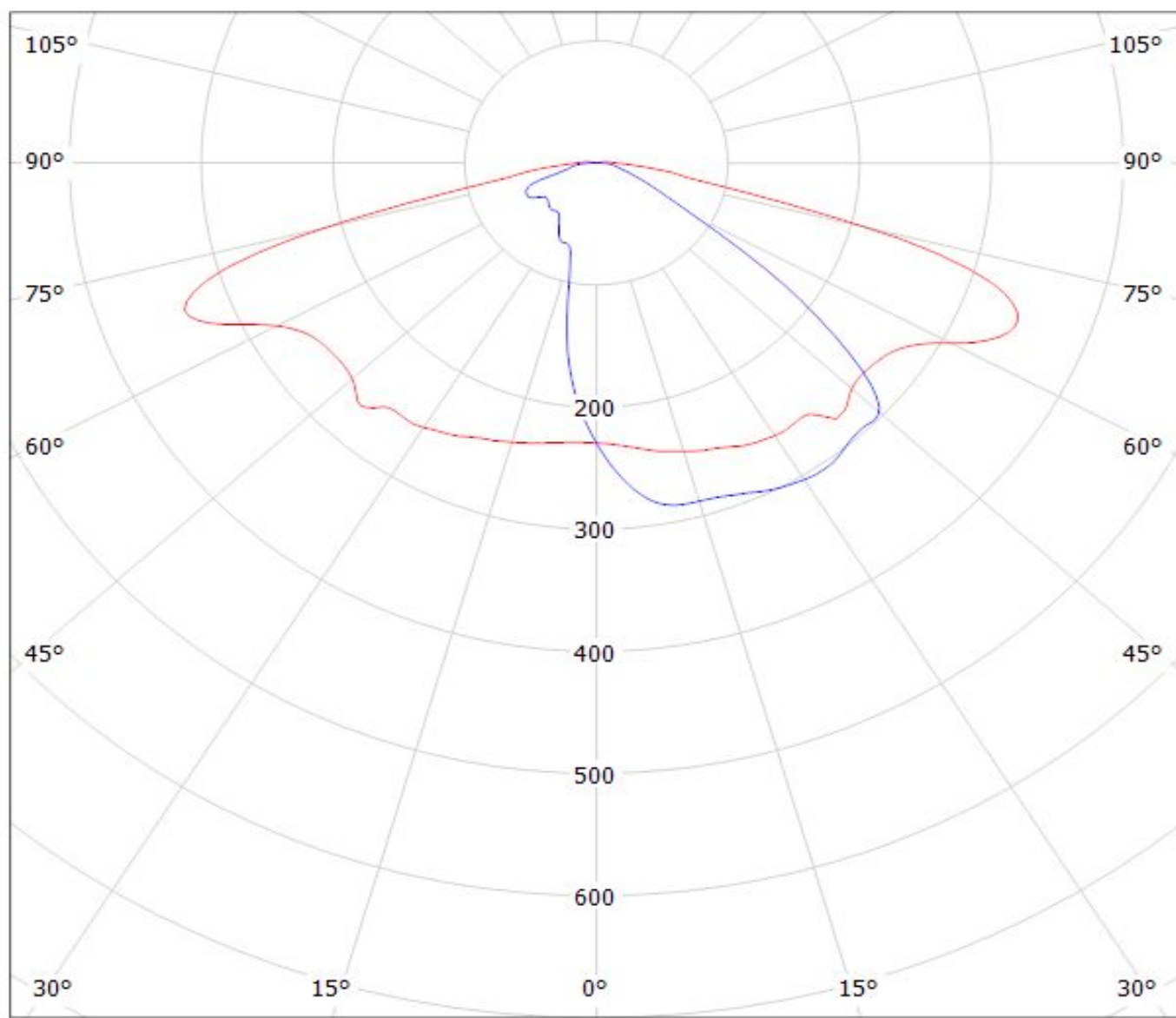
cd/klm

— C0 - C180

— C90 - C270

$\eta = 93\%$

Luminaire: Ledil CS15362_STRADA-IP-2X6-T3-B_(XP-L2)
Lamps: 1 x Cree_XP-L2x12_(XPGBWT-H1-3B0-R5-0-01)
1666.32lm@250mA_CCT=5000_P=8.239W_I=0.25A



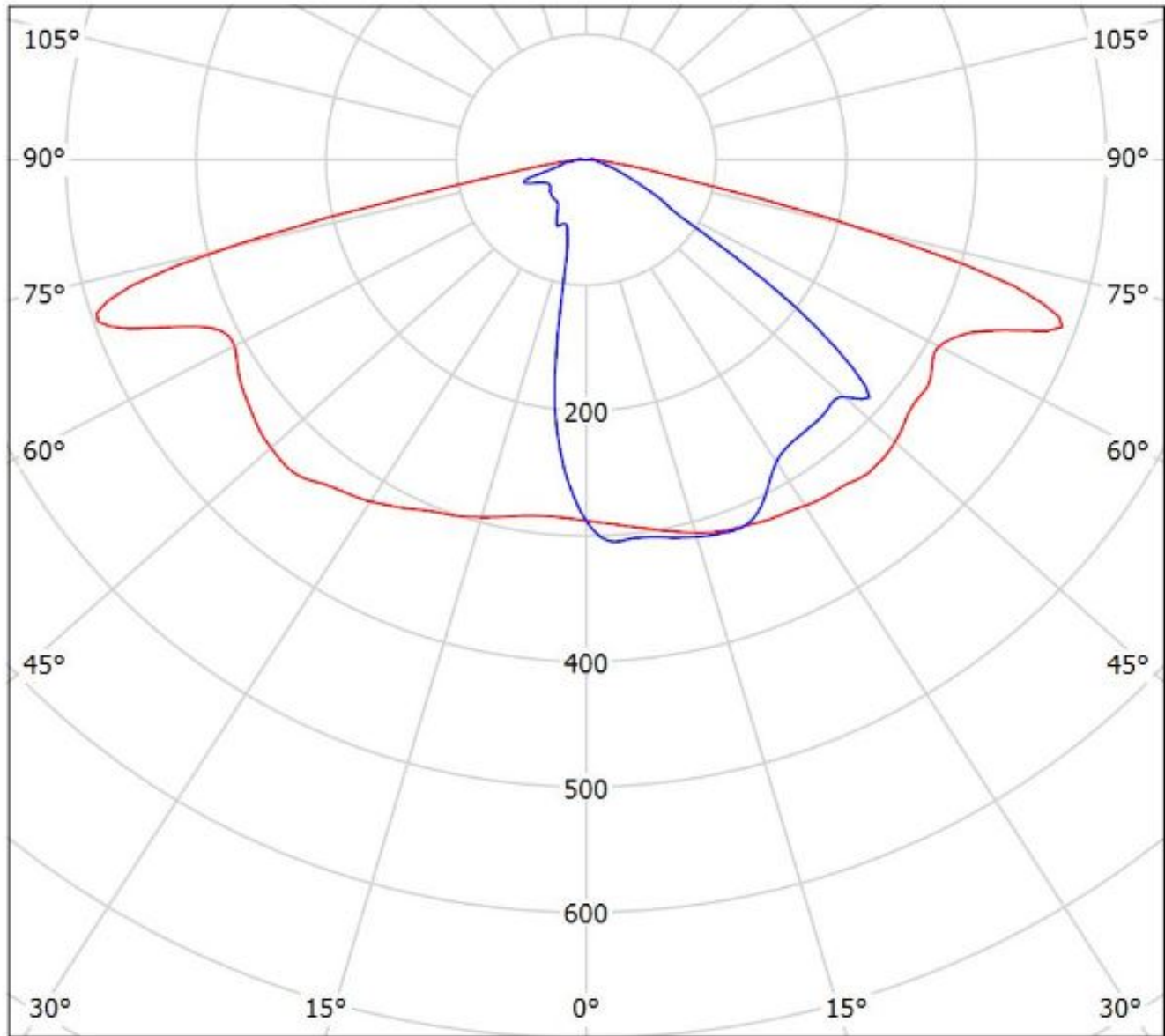
$\eta = 95\%$

cd/klm

— C0 - C180 — C90 - C270

Luminaire: Ledil CS15362_STRADA-IP-2X6-T3-B_(H35C1)

Lamps: 1 x LG_H35C1_2x6_1389.53lm@250mA_CCT=5700_P=8.59425W_I=0.250A

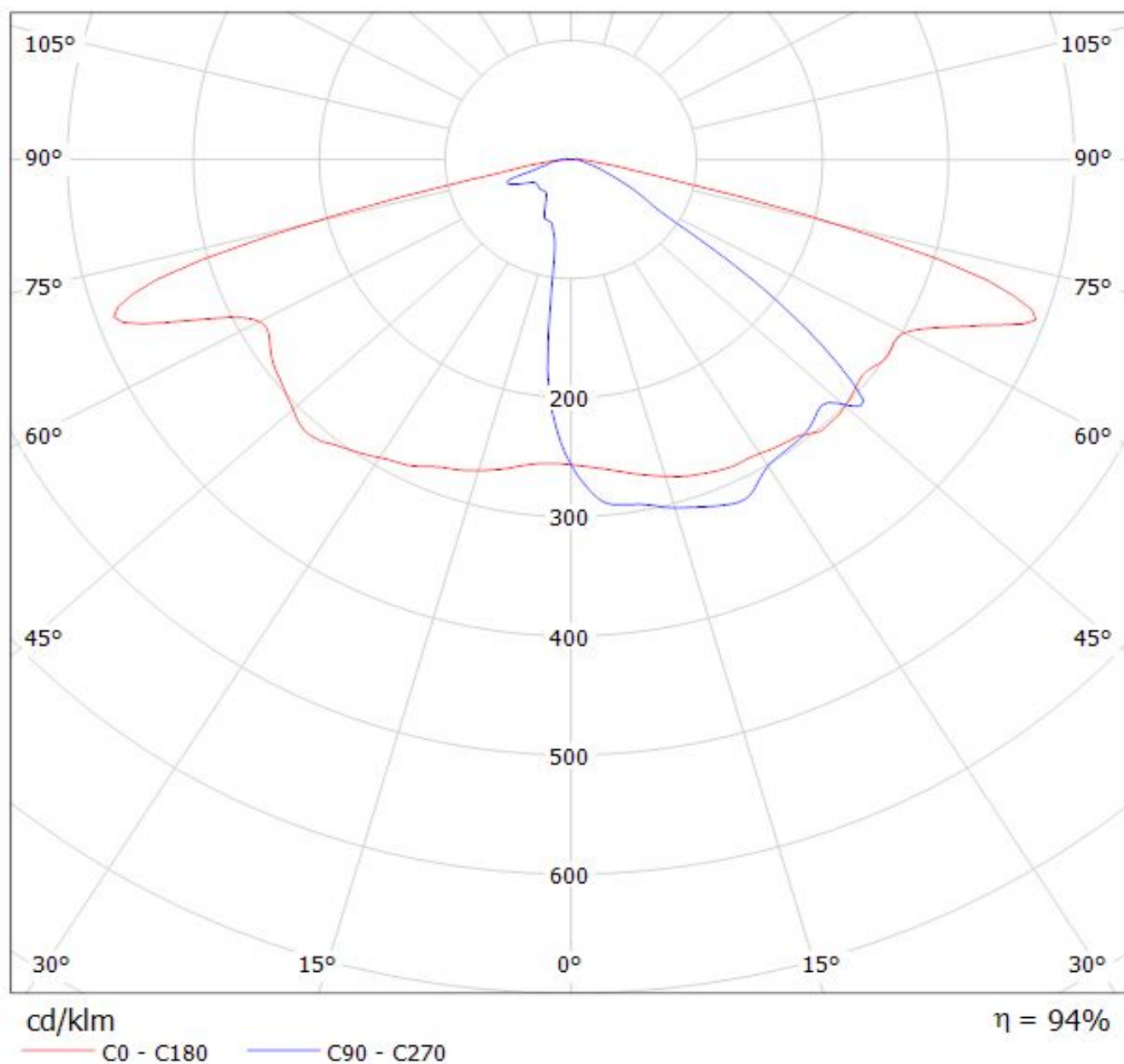


cd/klm

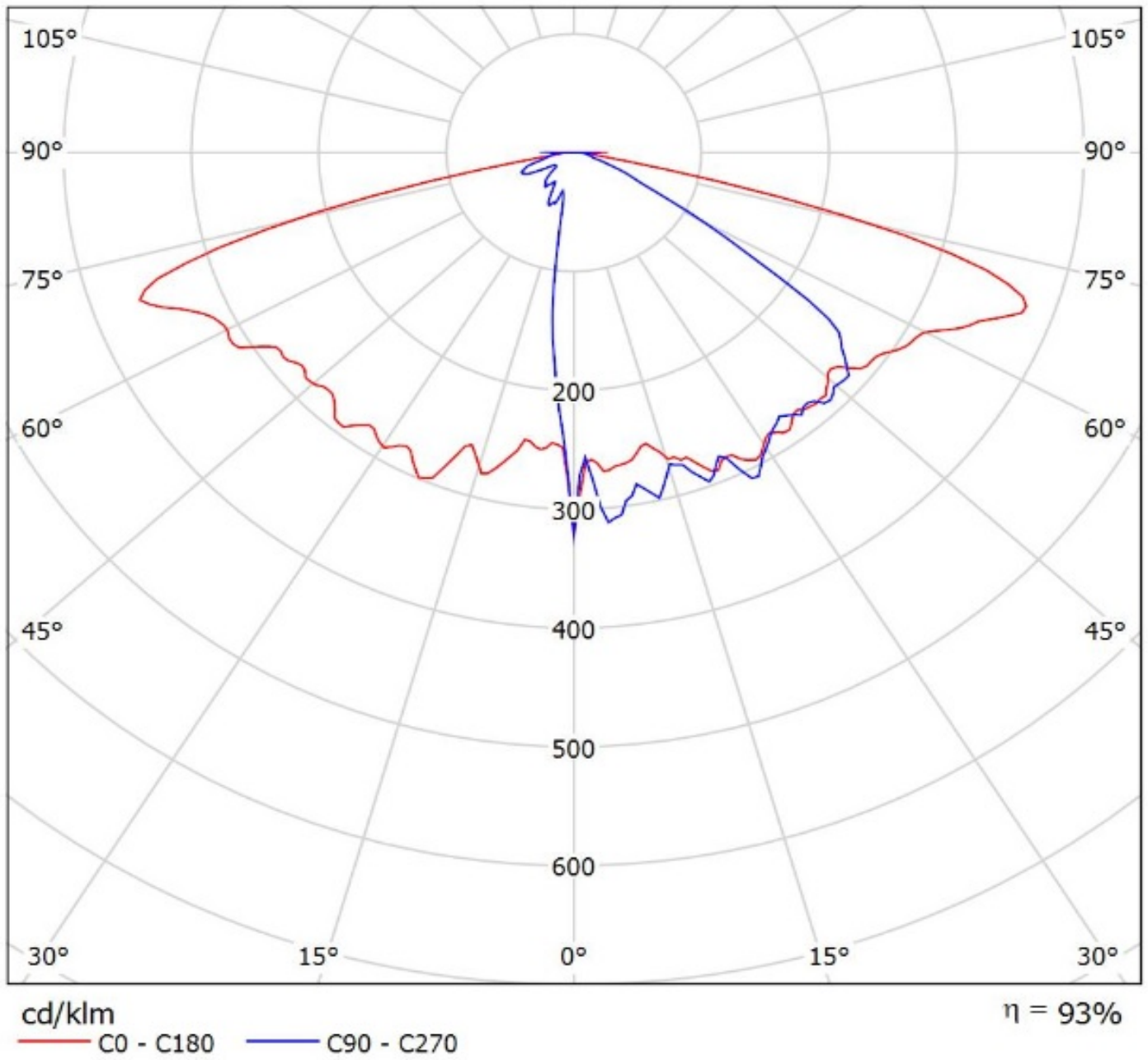
— C0 - C180 — C90 - C270

$\eta = 95\%$

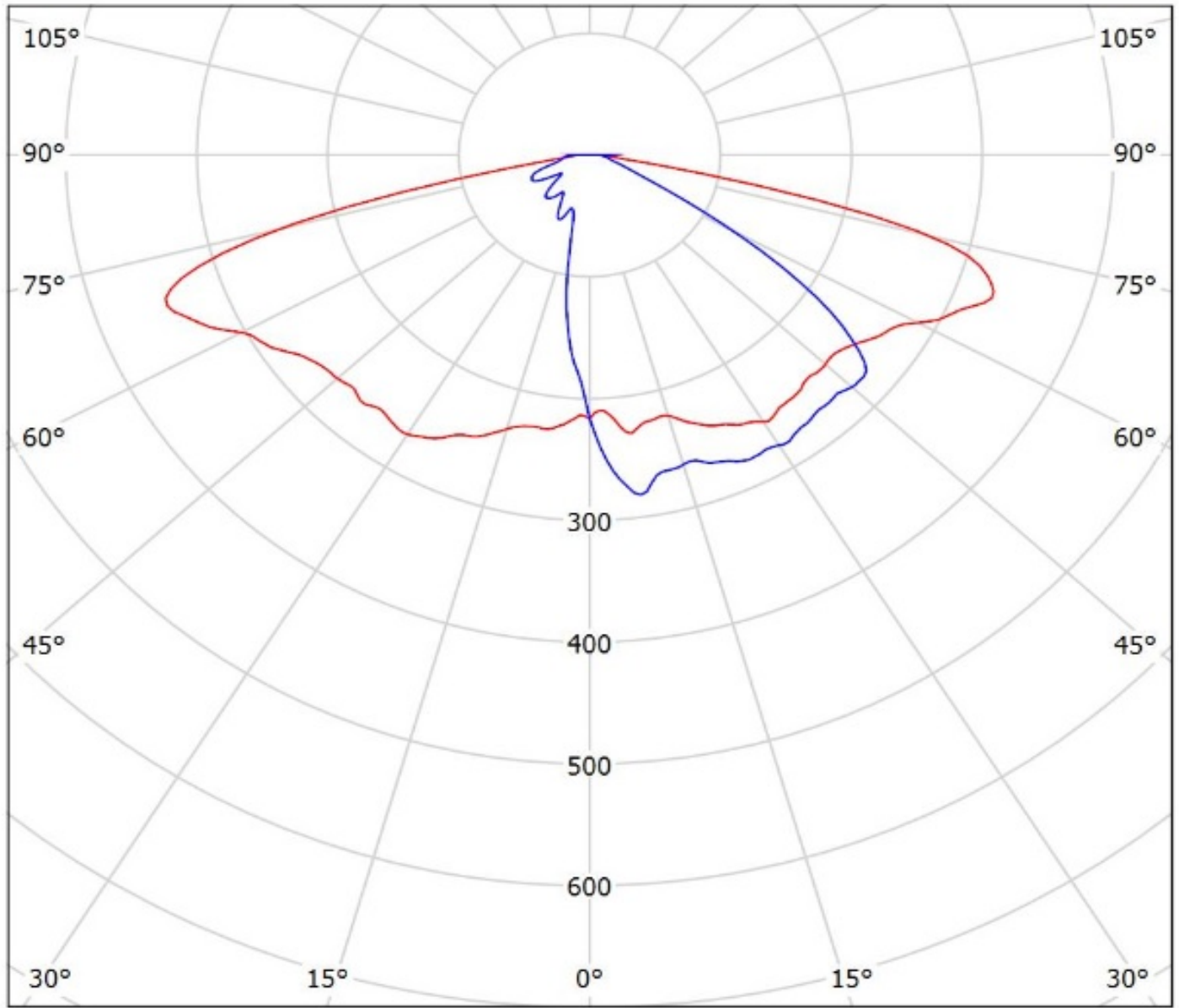
Luminaire: LEDiL Oy CS15362_STRADA-IP-2X6-T3-B_(Luxeon_T)
Lamps: 1 x Luxeon_T_(LXH8-FW30)_1040.41lm@250mA_P=8.49754W_I=0.250A



Luminaire: Ledil Oy CS15362_STRADA-IP-2X6-T3-B_(LH351B)_SIMULATED
Lamps: 1 x Samsung LH351B



Luminaire: Ledil Oy CS15362_STRADA-IP-2X6-T3-B_(LH351D)_SIMULATED
Lamps: 1 x Samsung LH351D

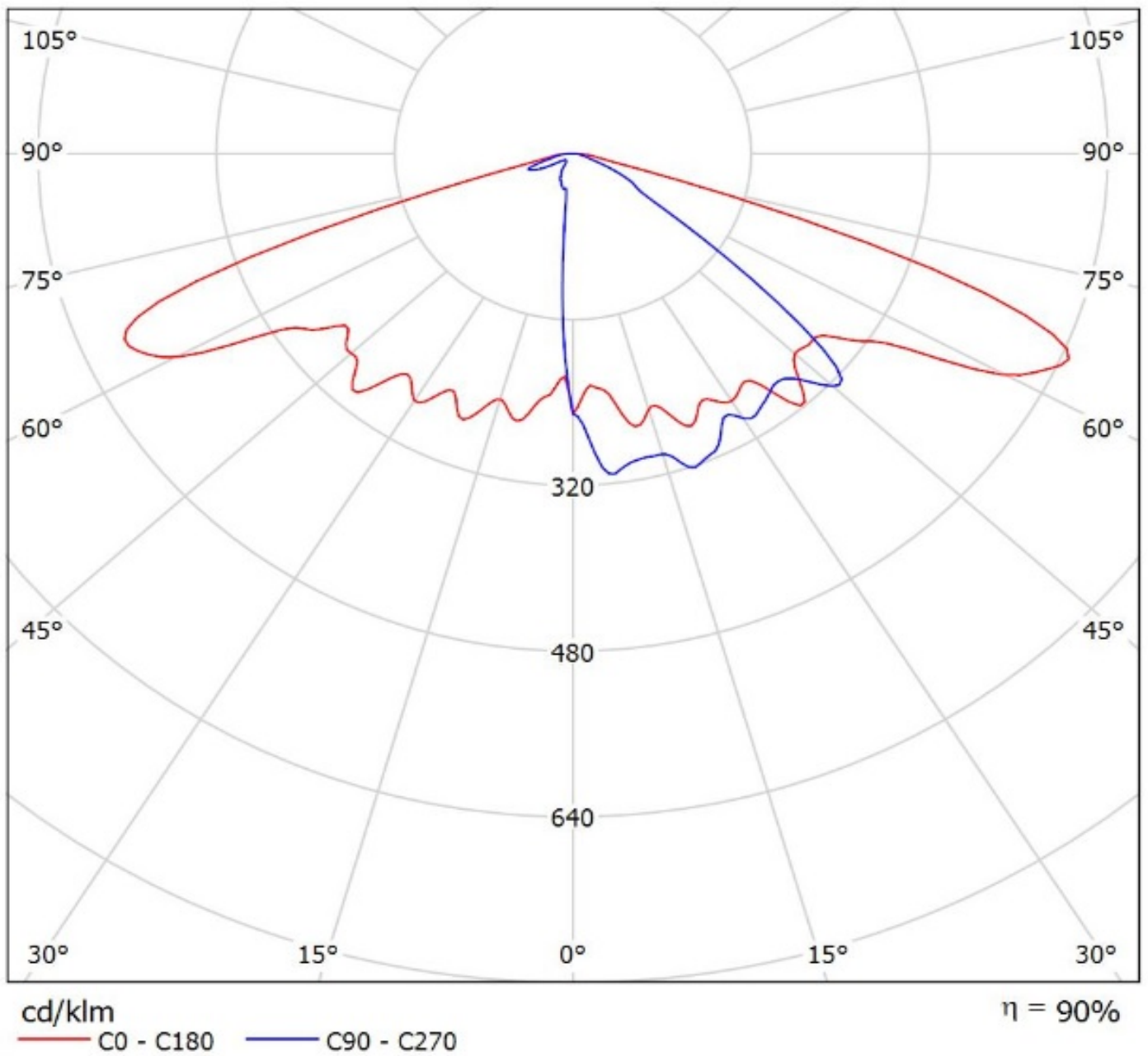


cd/klm

— C0 - C180 — C90 - C270

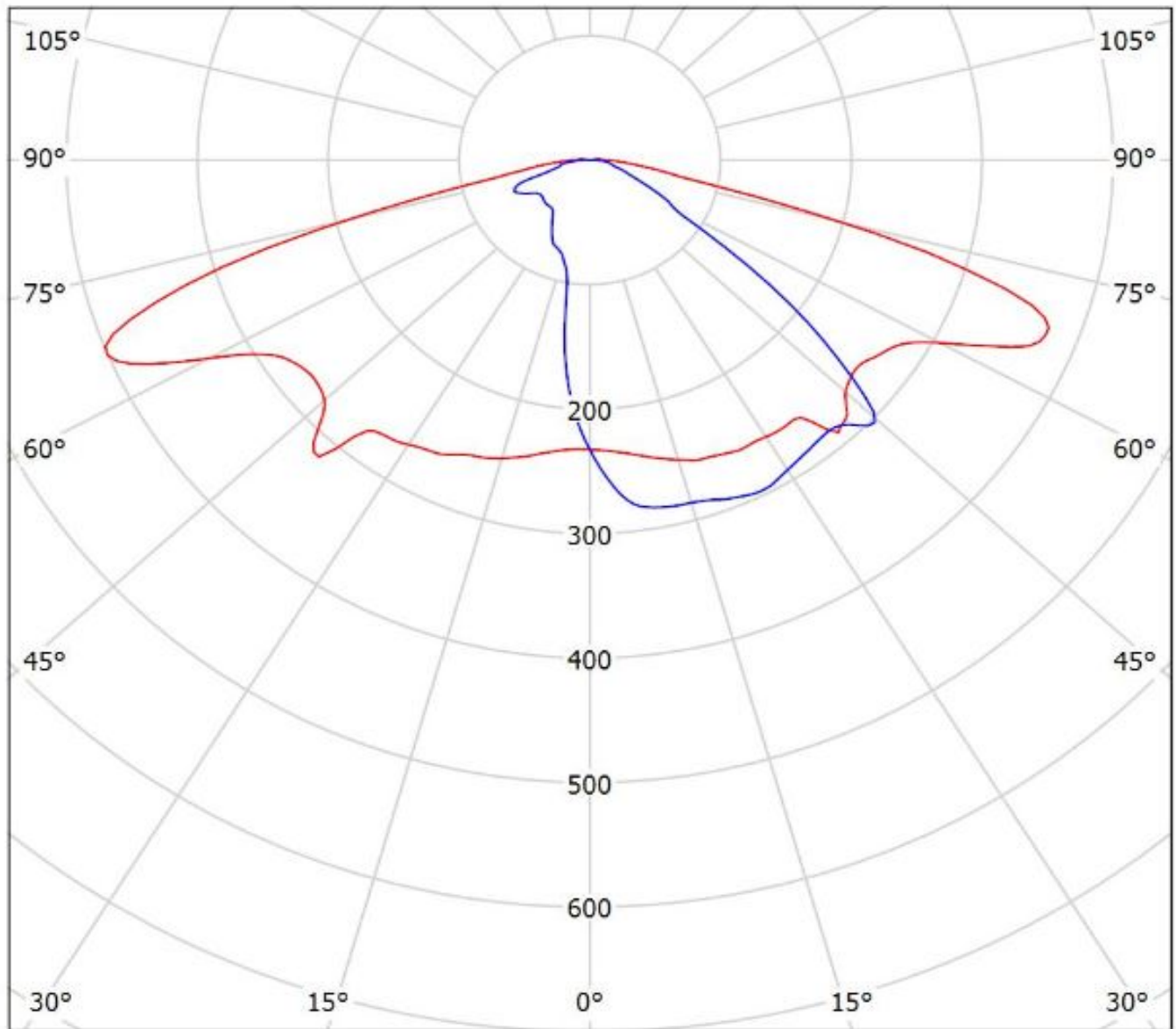
$\eta = 93\%$

Luminaire: Ledil Oy PRELIMINARY_CS15362_STRADA-IP-2X6-T3-B_(Z5M1)_SIMULATED
Lamps: 1 x Seoul Z5M1



Luminaire: Ledil CS15362_STRADA-IP-2X6-T3-B_(Z8Y22_PLUS)

Lamps: 1 x Seoul_Z8Y22_PLUS_2X6_(SZ8-Y22-W0-C7P)1489.65lm@250mA_P=8.30675W_η=0.250A



cd/klm

— C0 - C180

— C90 - C270

η = 96%

NOTE: The typical divergence will be changed by different color, chip size and chip position tolerance. The typical total divergence is the full angle measured where the luminous intensity is half of the peak value.