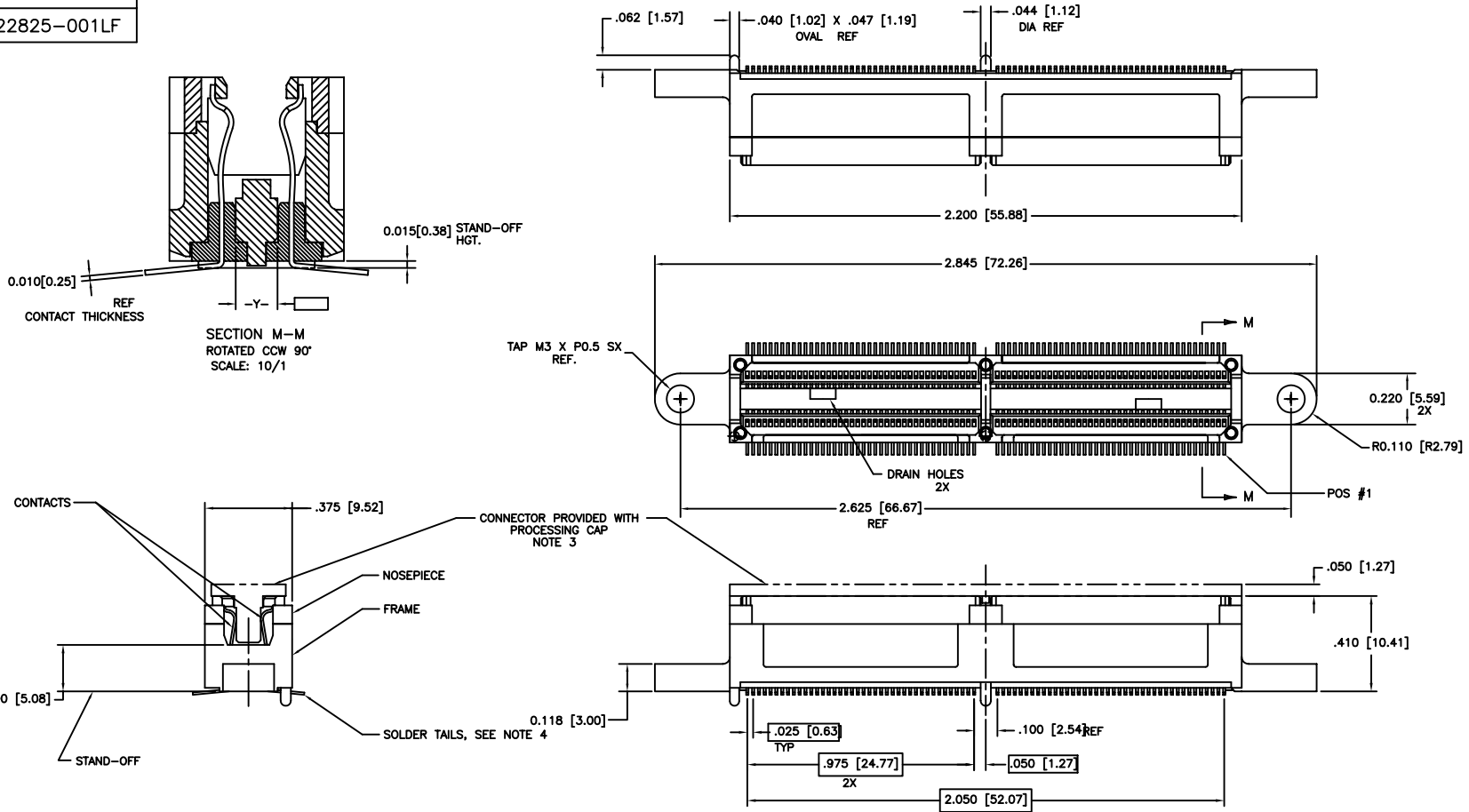
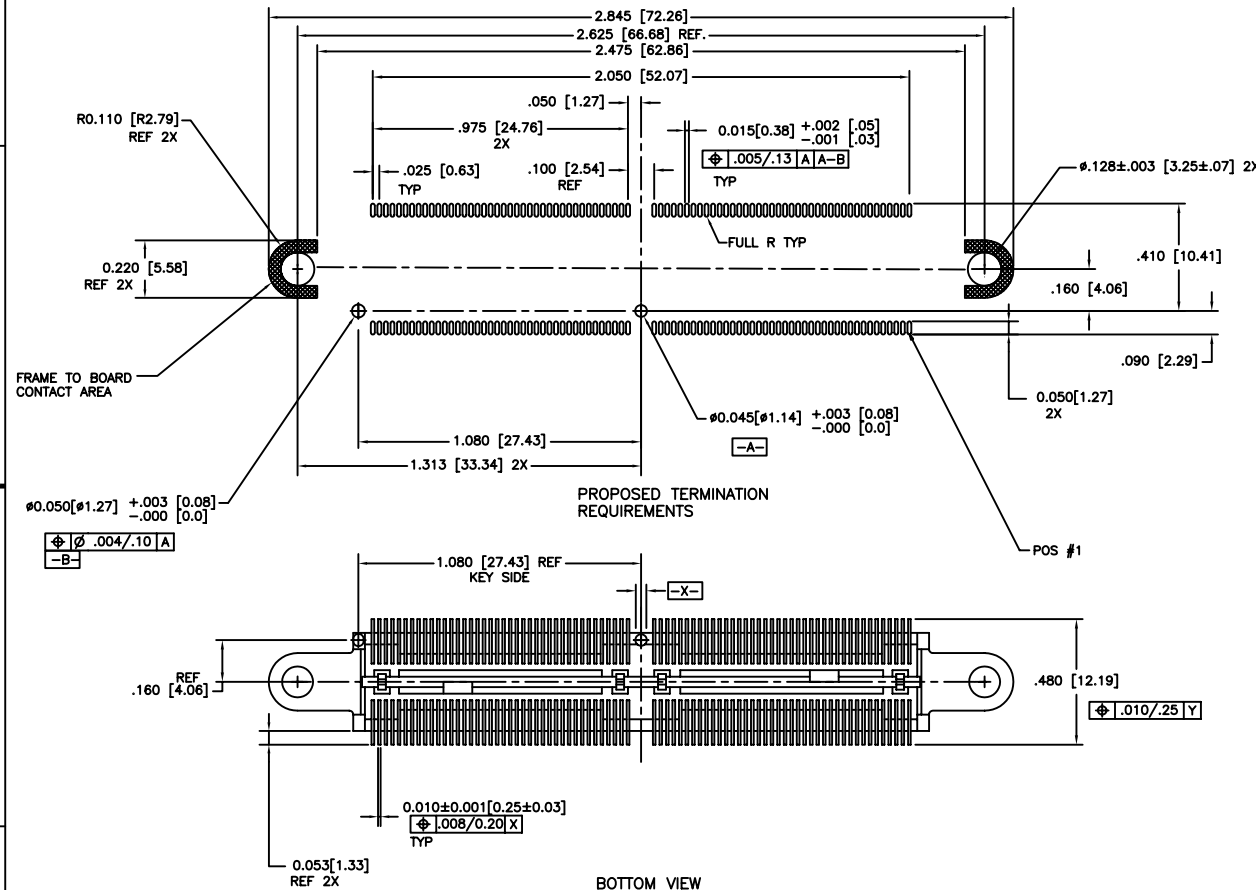


PRODUCT NUMBER
10022825-001
10022825-001LF



mat'l. code		surface		tolerance		projection		product family	
-		ISO 1902		ISO 406 ISO 1101				MICROPAX	
ltr	ec'n no	dr	date	tolerances unless otherwise specified		INCH/MM		title	
A	v03-0847	GIP	8/05/03	angles	linear	$XXX \pm .01 / XXX \pm 0.3$ $XXX \pm .005 / XXX \pm 0.13$ $XXX \pm .0020 / XXX \pm 0.051$.025M SURFACE MOUNT RECEPT, DOUBLE MODULE	
B	M05-0082	MHT	5/06/05	0° ± 2°		scale 1:1		dwg no	
C	M06-0279	MNR	7/22/06					sheet 1 of 2 size	
D	M08-0251	MHT	9/08/08	dr	T. BRUNGARD	4/25/03		10022825 A3	
				enr	M. GRAY	4/25/03		type	
				chr	M. GRAY	4/25/03		Product Customer Drawing	
				app	M. GRAY	4/25/03			
sheet	revision	D	D						
index	sheet	1	2						

PRODUCT NUMBER	NO. OF CONTACTS
10022825-001	160
10022825-001LF	



NOTES:

- MATERIALS:
DIELECTRIC: LCP
CONTACTS: BeCu
FRAME: ZINC ALLOY #3
- PLATING:
SOLDER TAILS: 150u"/3.81um Sn Pb
FRAME: 100u"/2.54um Ni
CONTACTS: 30u"/.76um GXT OVER 50u"/1.27um Ni
OR 60u"/1.52um GXT OVER 75u"/1.90um Ni.
LEAD FREE OPTION:
SOLDER TAILS: 150u"/3.81um Sn
FRAME: 100u"/2.54um Ni
CONTACTS: 30u"/.76um GXT OVER 50u"/1.27um Ni
OR 60u"/1.52um GXT OVER 75u"/1.90um Ni.
- DO NOT REMOVE PROCESSING CAP UNTIL SOLDERING IS COMPLETED. CAP WILL PREVENT POTENTIAL NOSE PIECE BOW DURING HIGH TEMP. SOLDERING PROCESS.
- THE SOLDER TAILS ON THIS PRODUCT ARE DESIGNED TO BE COMPLIANT IN ORDER TO ACCOMMODATE PRINTED CIRCUIT BOARD DIMENSIONAL VARIATIONS. THEREFORE, HOLDDOWN HARDWARE IS REQUIRED TO SECURE THE CONNECTOR TO THE PRINTED CIRCUIT BOARD FOR MOST TYPES OF SOLDER REFLOW OPERATIONS.
- PART NUMBER WITH LF SUFFIX AT THE END IS LEAD FREE.
- IF "LF" P/N THE PRODUCT MEETS EUROPEAN UNION DIRECTIVES AND OTHER COUNTRY REGULATION AS DESCRIBED IN GS-22-008.
- THE HOUSING WILL WITHSTAND EXPOSURE TO 260°C PEAK TEMPERATURE FOR 20 SECONDS IN A CONVECTION, INFRA-RED OR VAPOR PHASE REFLOW OVEN.
- SEE BUS-20-084 (SET-UP APPLICATION SPEC.) FOR REFERENCE.

mat'l. code		surface		tolerance		projection		product family	
-		ISO 1902		ISO 406 ISO 1101				MICROPAX	
ltr	ecn no	dr	date	tolerances unless otherwise specified					
D				angles	linear	XX±.01/XX±.03	INCH/MM		title
				0°±2'		XXX±.005/XX±.013	scale 1:1		.025M SURFACE MOUNT RECEPT, DOUBLE MODULE
				dr	T. BRUNGARD	4/25/03			dwg no
				engr	M. GRAY	4/25/03	sheet 2 of 2 size		10022825 A3
				chr	M. GRAY	4/25/03	type		Product Customer Drawing
				appd	M. GRAY	4/25/03			
sheet	revision								
index	sheet								