

## PCB terminal block - FFKDSA1/H-2,54- 5 - 1700198

Please be informed that the data shown in this PDF Document is generated from our Online Catalog. Please find the complete data in the user's documentation. Our General Terms of Use for Downloads are valid (<http://phoenixcontact.com/download>)



PCB terminal block, Nominal current: 6 A, Nom. voltage: 160 V, Pitch: 2.54 mm, Number of positions: 5, Connection method: Push-in spring connection, Mounting: Wave soldering, Conductor/PCB connection direction: 0 °, Color: green

The figure shows a 10-position version

### Why buy this product

- ✓ PCB terminal blocks with front spring-cage connection
- ✓ Two solder pins for a high level of stability on the PCB
- ✓ Push-in direct plug-in technology for solid or stranded conductors with ferrules
- ✓ When connecting stranded conductors without ferrules, the terminal point is opened using an orange opening lever



### Key Commercial Data

Packing unit	1 STK
Minimum order quantity	50 STK
Custom tariff number	85369010
Country of origin	Germany

### Technical data

#### Environmental Product Compliance

China RoHS	No hazardous substances above threshold values
------------	--

#### Dimensions

Length	13.6 mm
Pitch	2.54 mm
Dimension a	10.16 mm
Width	15.2 mm
Constructional height	12.6 mm

## PCB terminal block - FFKDSA1/H-2,54- 5 - 1700198

### Technical data

#### Dimensions

Height	16.2 mm
Length of the solder pin	3.6 mm
Pin dimensions	0,5 x 0,8
Pin spacing	5.08 mm
Hole diameter	1.1 mm

#### General

Range of articles	FFKDS(A)/H
Rated surge voltage (III/3)	2.5 kV
Rated surge voltage (III/2)	2.5 kV
Rated surge voltage (II/2)	2.5 kV
Rated voltage (III/3)	63 V
Rated voltage (III/2)	160 V
Rated voltage (II/2)	320 V
Connection in acc. with standard	EN-VDE
Nominal current $I_N$	6 A
Nominal cross section	0.5 mm <sup>2</sup>
Solder pin surface	Sn
Stripping length	11 mm
Number of positions	5

#### Connection data

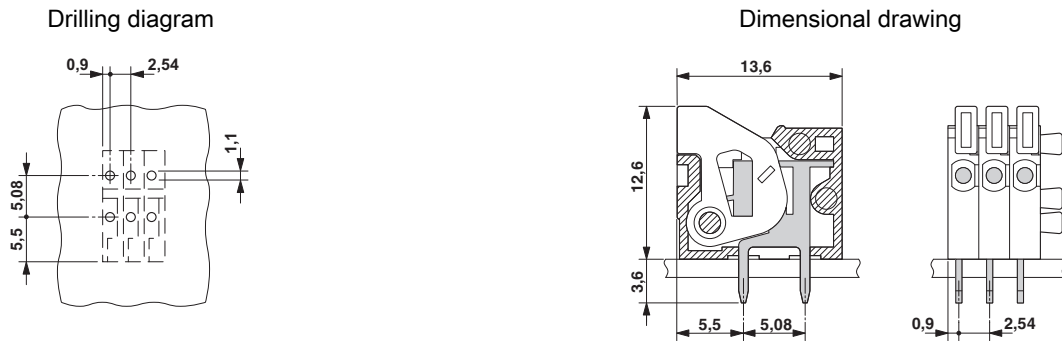
Conductor cross section AWG min.	26
Conductor cross section AWG max.	20

#### Standards and Regulations

Connection in acc. with standard	EN-VDE
	CSA

### Drawings

# PCB terminal block - FFKDSA1/H-2,54- 5 - 1700198



## Classifications

### eCl@ss

eCl@ss 4.0	27141109
eCl@ss 4.1	27141109
eCl@ss 5.0	27141190
eCl@ss 5.1	27141190
eCl@ss 6.0	27261101
eCl@ss 7.0	27440401
eCl@ss 8.0	27440401
eCl@ss 9.0	27440401

### ETIM

ETIM 3.0	EC001121
ETIM 4.0	EC002643
ETIM 5.0	EC002643

### UNSPSC

UNSPSC 6.01	30211801
UNSPSC 7.0901	39121432
UNSPSC 11	39121432
UNSPSC 12.01	39121432
UNSPSC 13.2	39121432

## Approvals

### Approvals

### Approvals

CSA / UL Recognized / cUL Recognized / EAC / cULus Recognized

# PCB terminal block - FFKDSA1/H-2,54- 5 - 1700198

## Approvals

Ex Approvals

### Approval details

CSA [http://www.csagroup.org/us/en/services/testing-and-certification/certified-product-listing 13631](http://www.csagroup.org/us/en/services/testing-and-certification/certified-product-listing-13631)

	B
mm <sup>2</sup> /AWG/kcmil	20
Nominal current IN	6 A
Nominal voltage UN	150 V

UL Recognized <http://database.ul.com/cgi-bin/XYV/template/LISEXT/1FRAME/index.htm> FILE E 60425

	B
mm <sup>2</sup> /AWG/kcmil	26-20
Nominal current IN	6 A
Nominal voltage UN	150 V

cUL Recognized <http://database.ul.com/cgi-bin/XYV/template/LISEXT/1FRAME/index.htm> FILE E 60425

	B
mm <sup>2</sup> /AWG/kcmil	26-20
Nominal current IN	6 A
Nominal voltage UN	150 V

EAC B.01742
-------------

cULus Recognized <http://database.ul.com/cgi-bin/XYV/template/LISEXT/1FRAME/index.htm>

## Accessories

Accessories

Connector

## PCB terminal block - FFKDSA1/H-2,54- 5 - 1700198

### Accessories

Ferrule - AI 0,25-10 YE - 3241128



Ferrule, Sleeve length: 10 mm, Length: 14.5 mm, Color: yellow

---

### Labeled terminal marker

Marker card - SK 2,54/2,8:FORTL.ZAHLEN - 0804853



Marker card, Card, white, labeled, Horizontal: Consecutive numbers 1 - 10, 11 - 20, etc. up to 91 - 99, Mounting type: Adhesive, for terminal block width: 2.54 mm, Lettering field: 2.54 x 2.8 mm