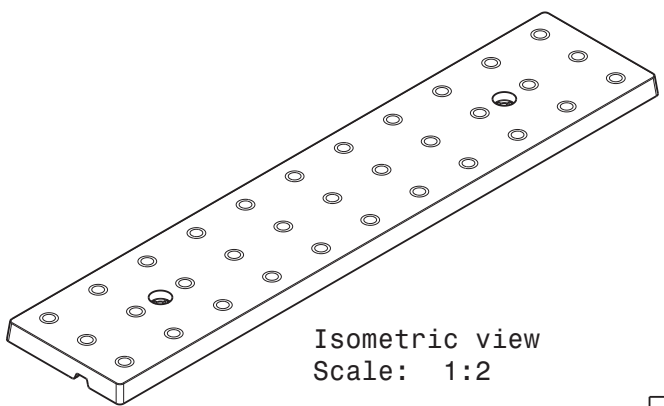
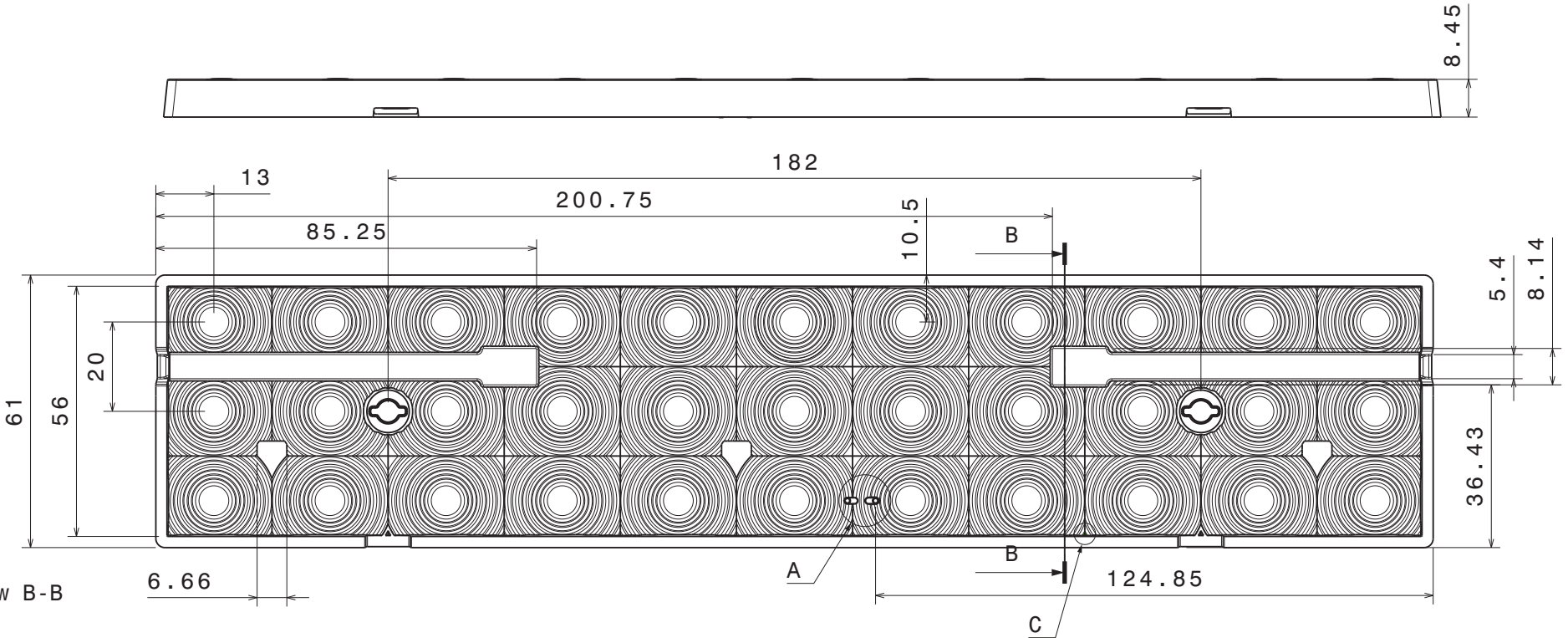
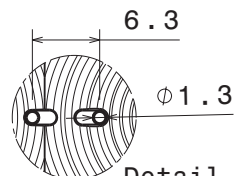


Section view B-B  
Scale: 1:1



Isometric view  
Scale: 1:2



Detail A  
Scale: 2:1



Detail C  
Scale: 5:1

	PCB or Heat Sink level
	Led location see red dot
Ensure LED fitting, see our web site and/or 3D model for part detail.	
See installation details page 2.	

PART	TYPE	MATERIAL	COLOR / COATING
F16261_FLORENCE-Z90-B	LENS	PMMA	CLEAR

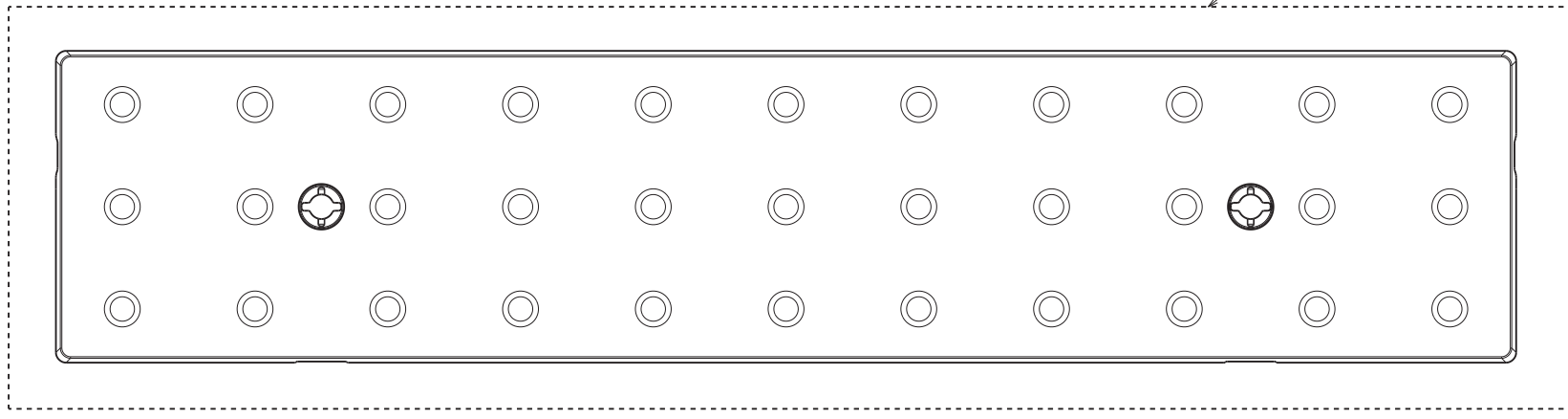
PRODUCTION DRAWING		
F16261_FLORENCE-Z90-B		
Plastic molding general tolerances are based on DIN 16901 and applies if not otherwise shown in drawing. Silicone molding general tolerances are based on ISO 3302-1:2014(E) and applies if not otherwise shown in drawing.	FIRST ANGLE PROJECTION: 	This drawing is the property of LEDiL Oy. It may not be reproduced, copied or communicated without a written agreement with LEDiL Oy.
SCALE 1:1	WEIGHT 88,61 g	A3 SHEET 1/1

H G F E D C B A

4

4

Light pattern direction

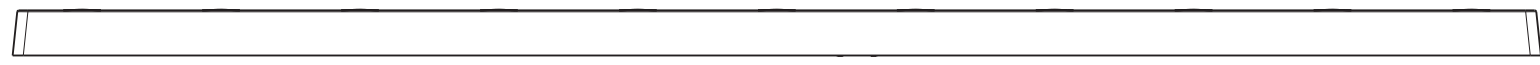


3

3

2

2



Front view  
Scale: 1:1

PART	TYPE	MATERIAL	COLOR / COATING
F16261_FLORENCE-Z90-B	LENS	PMMA	CLEAR

<b>PRODUCTION DRAWING</b>		<b>LEDiL<sup>®</sup></b>
<b>F16261_FLORENCE-Z90-B</b>		
Plastic molding general tolerances are based on DIN 16901 and applies if not otherwise shown in drawing. Silicone molding general tolerances are based on ISO 3302-1:2014(E) and applies if not otherwise shown in drawing.	<b>FIRST ANGLE PROJECTION:</b> 	This drawing is the property of LEDiL Oy. It may not be reproduced, copied or communicated without a written agreement with LEDiL Oy.
<b>SCALE</b> 1:1	<b>WEIGHT</b> 88,61 g	<b>A3 SHEET 1/1</b>

1

1

H G B A

H G F E D C B A

4

4

3

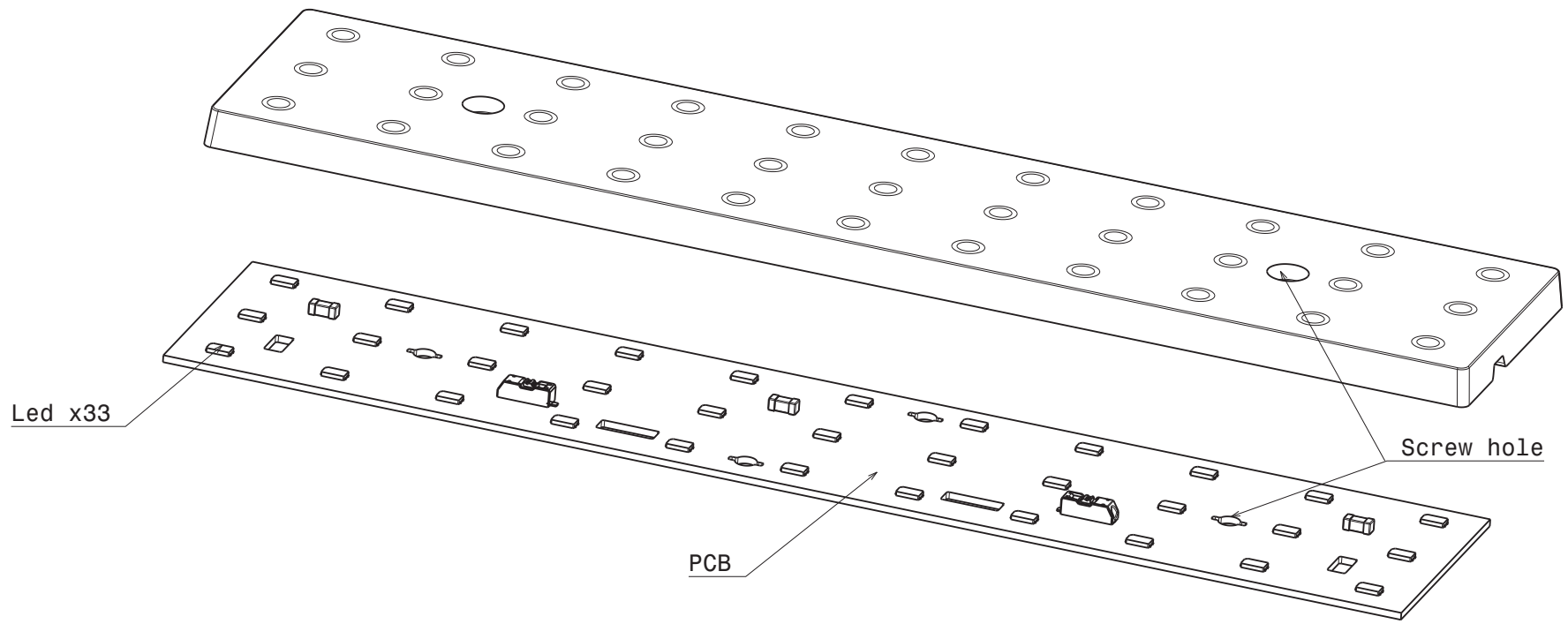
3

2

2

1

1



PART	TYPE	MATERIAL	COLOR / COATING
F16261_FLORENCE-Z90-B	LENS	PMMA	CLEAR

<b>PRODUCTION DRAWING</b>		<b>LEDiL<sup>®</sup></b>
F16261_FLORENCE-Z90-B		
Plastic molding general tolerances are based on DIN 16901 and applies if not otherwise shown in drawing. Silicone molding general tolerances are based on ISO 3302-1:2014(E) and applies if not otherwise shown in drawing.	<b>FIRST ANGLE PROJECTION:</b> 	This drawing is the property of LEDiL Oy. It may not be reproduced, copied or communicated without a written agreement with LEDiL Oy.
SCALE 1:1	WEIGHT 88,61 g	A3 SHEET 1/1

H G F E D C B A