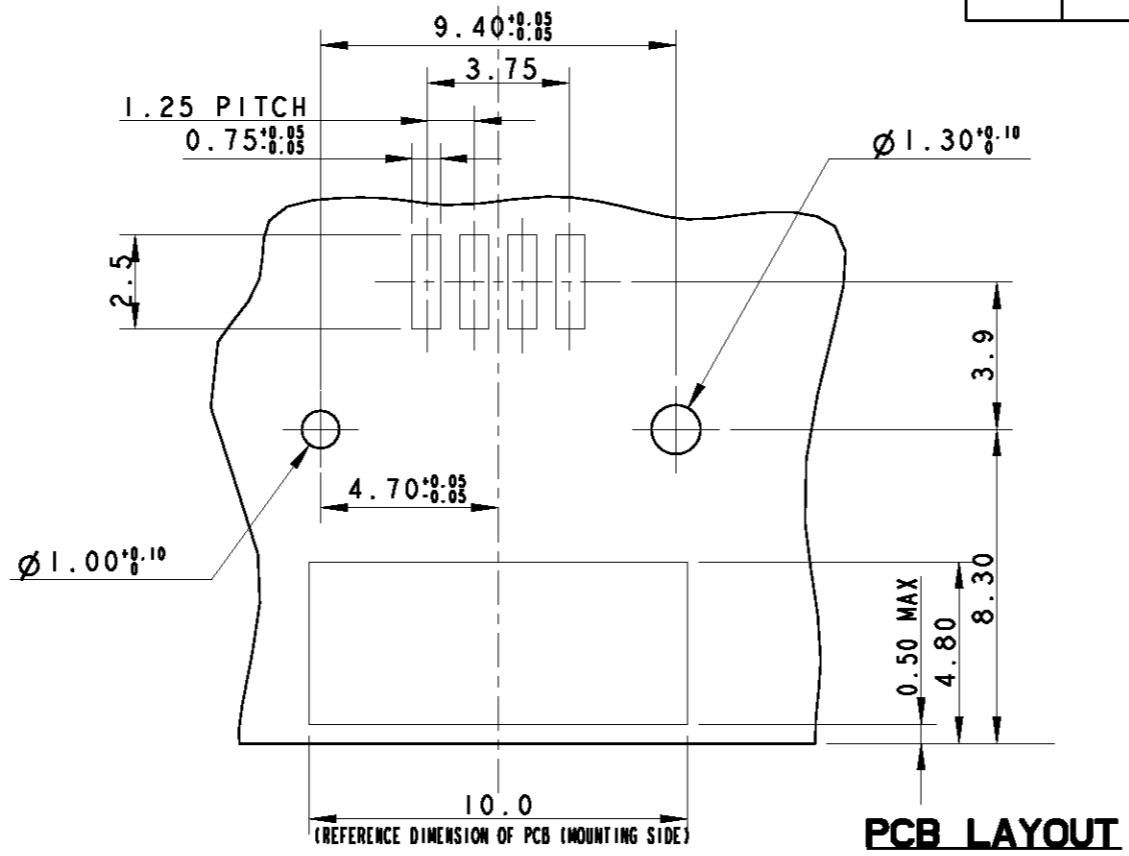
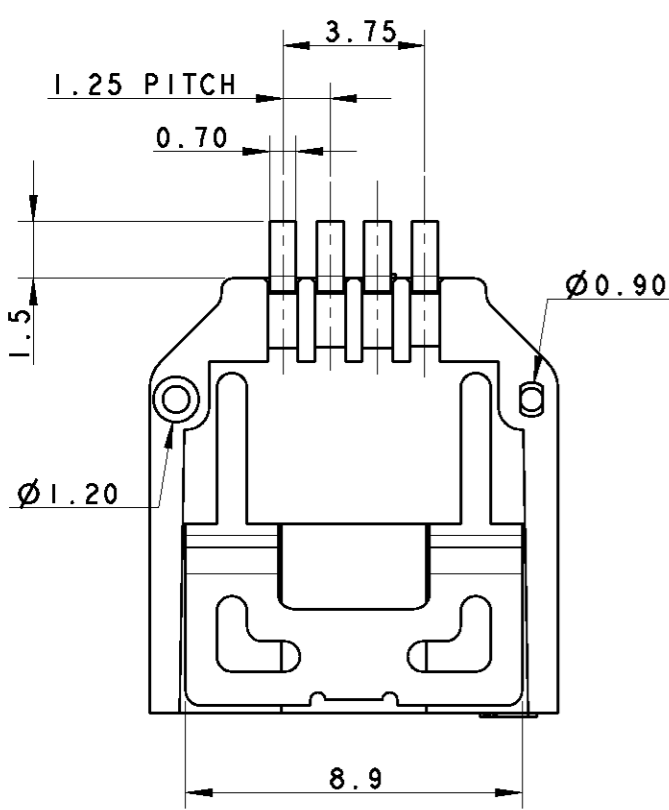


THIS DRAWING IS UNPUBLISHED. RELEASED FOR PUBLICATION 2008
 © COPYRIGHT 2008 BY TYCO ELECTRONICS CORPORATION. ALL RIGHTS RESERVED.

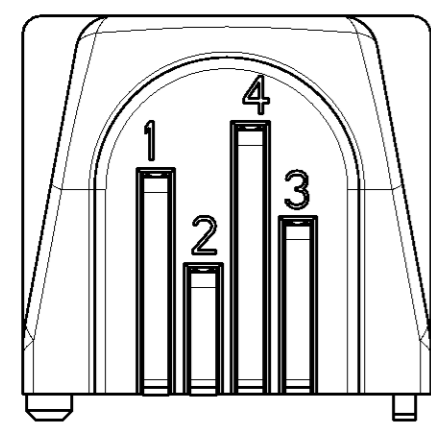
LOC - DIST -

REVISIONS					
P	LTR	DESCRIPTION	DATE	DWN	APVD
A		FIRST ISSUE	12SEP2008	D.C.	G.T.
A6		REVISED: CHANGED FORM (CUSTOMER REQUEST)	01MAR2010	D.C.	G.T.
B		RELEASED FOR PRODUCTION	30NOV2010	D.C.	G.T.
B1		REVISED: ADMITTED 0,50MAX ON PCB LAYOUT	28FEB2011	D.C.	G.T.

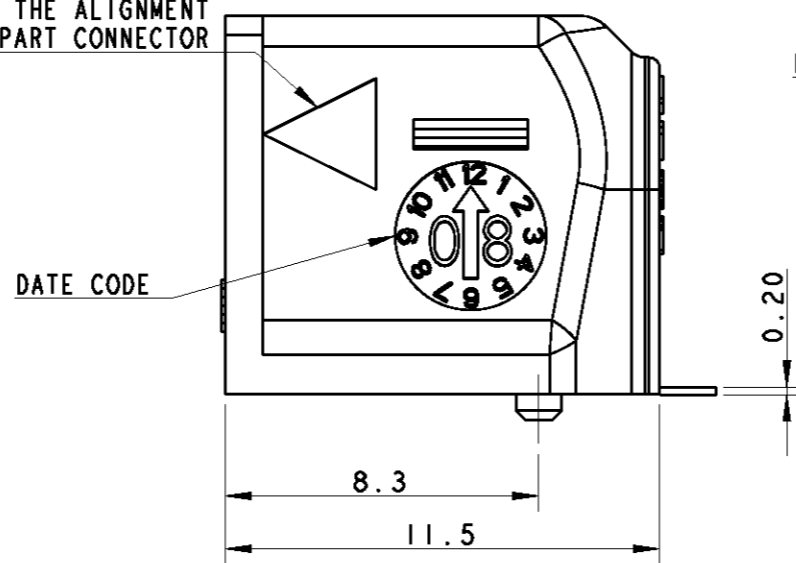


- 1 MATERIAL & FINISH
 CONTACT: COPPER ALLOY, TIN PLATED
 HOUSING: THERMO PLASTIC
 SOLDER PEG: COPPER ALLOY, TIN PLATED
- 2 VOLTAGE: < 30V r.m.s. (42V PEAK)
 CURRENT: MAX. 2A PER WAY (FULL LOADED)

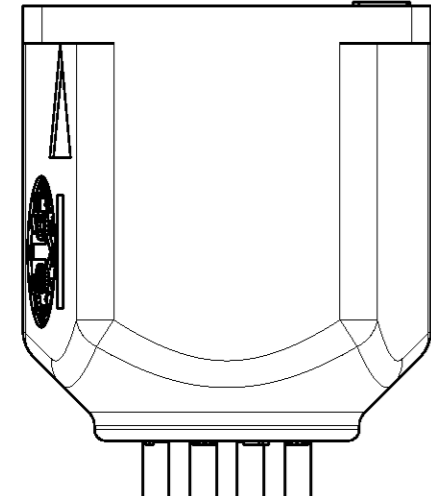
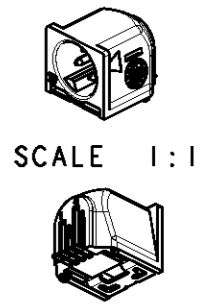
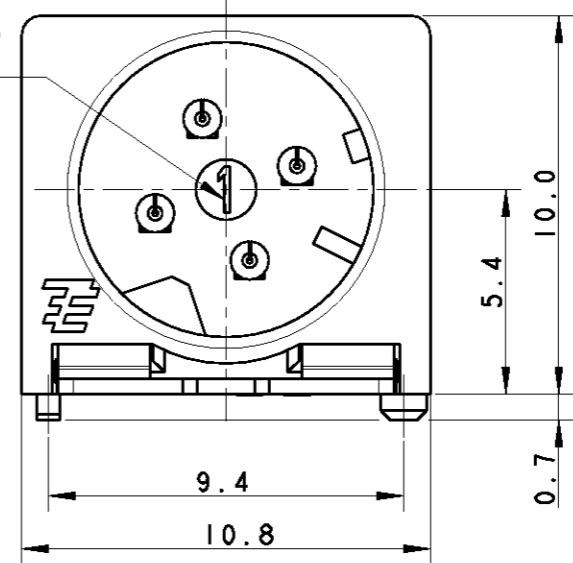
BLACK	293415-2	B
WHITE / LIGHT BROWN	293415-1	B
MATERIAL COLOUR	PART NUMBER	REV.



REFERENCE MARK FOR THE ALIGNMENT WITH THE COUNTERPART CONNECTOR



MOULD CAVITY ID NUMBER (OPTIONAL)



THE PRESENTED PRODUCT / DESIGN WILL BE RELEASED FOR THE MANUFACTURING OF THE NECESSARY PRODUCTION TOOLS HEREBY. FURTHER CHANGES HAS TO BE PAID BY CUSTOMER.
 DATE, SIGN OF THE CUSTOMER

DIMENSIONS: mm		TOLERANCES UNLESS OTHERWISE SPECIFIED:	
0 PLC	±0.5	1 PLC	±0.3
1 PLC	±0.3	2 PLC	±0.1
2 PLC	±0.1	3 PLC	±
3 PLC	±	4 PLC	±
4 PLC	±	ANGLES	±3°
MATERIAL		FINISH	

DWN	D. CHIARELLI	12SEP2008
CHK	D. CHIARELLI	12SEP2008
APVD	G. TURCO	12SEP2008
PRODUCT SPEC	108-20302	
APPLICATION SPEC	114-20147	
WEIGHT	-	
CUSTOMER DRAWING		

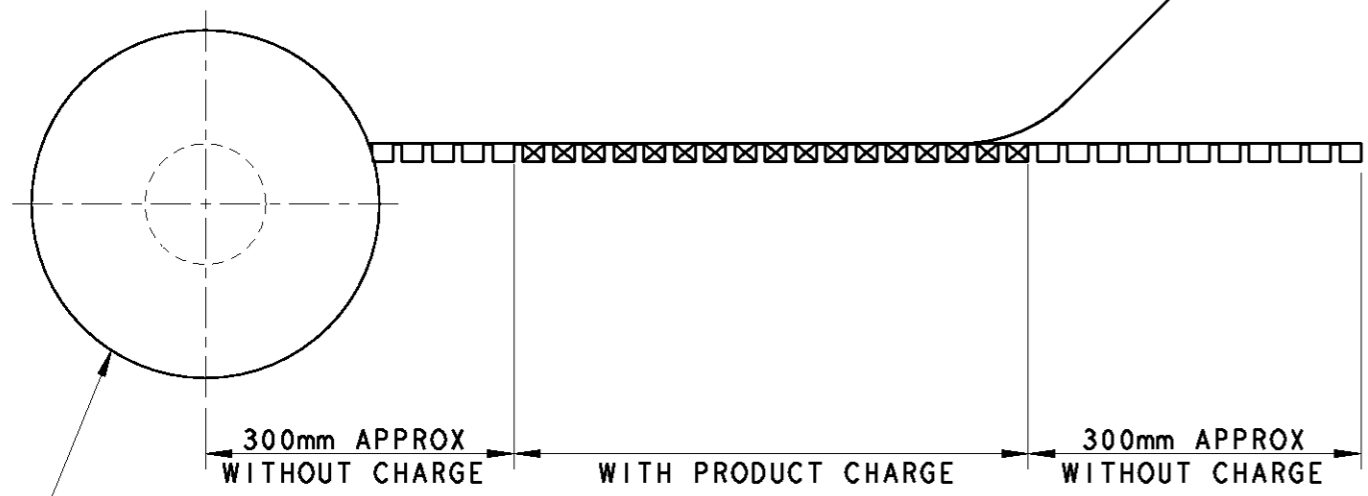
Tyco Electronics		Tyco Electronics AMP Italia S.r.l. C.so F.lli Cervi, 15 - Collegno (TO)	
NAME 4 POS. LOW VOLTAGE SMD MALE CONNECTOR			
SIZE	CAGE CODE	DRAWING NO	RESTRICTED TO
A3	00779	C-293415	-
SCALE 5:1		SHEET 1 OF 2	REV B1

THIS DRAWING IS UNPUBLISHED. RELEASED FOR PUBLICATION 2008
 © COPYRIGHT 2008 BY TYCO ELECTRONICS CORPORATION. ALL RIGHTS RESERVED.

LOC	DIST	REVISIONS					
		P	LTR	DESCRIPTION	DATE	DWN	APVD
1	-	-	-	SEE SHEET 1	-	-	-

QUANTITY PER REEL: 250 CONNECTORS
 QUANTITY PER CARTON BOX: 1500 CONNECTORS (6 REELS PER CARTON BOX)

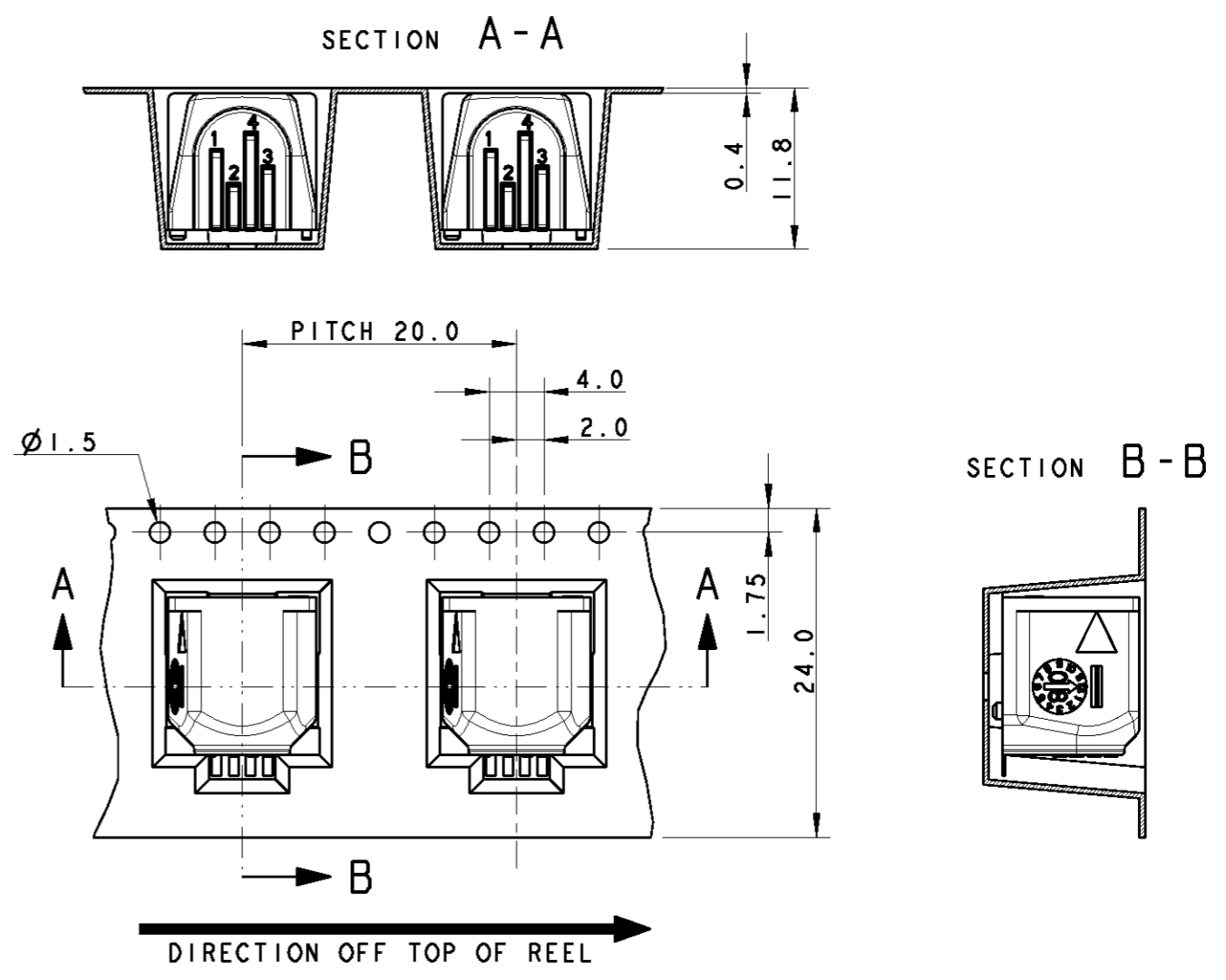
WEEDING THE COVER TAPE AROUND THE OUTER PERIPHERY IN A TURN



REEL SIZE:
 Ø330 x Ø100(HUB) x 29.0W (24.4W INSIDE)

SCALE 1:5

PACKAGING STYLE



THE PRESENTED PRODUCT / DESIGN WILL BE RELEASED FOR THE MANUFACTURING OF THE NECESSARY PRODUCTION TOOLS HEREBY. FURTHER CHANGES HAS TO BE PAID BY CUSTOMER.

.....
 DATE, SIGN OF THE CUSTOMER

<small>THIS DRAWING IS A CONTROLLED DOCUMENT FOR TYCO ELECTRONICS CORPORATION IT IS SUBJECT TO CHANGE AND THE CONTROLLING ENGINEERING ORGANIZATION SHOULD BE CONTACTED FOR THE LATEST REVISION.</small>		DWN D. CHIARELLI 12SEP2008 CHK D. CHIARELLI 12SEP2008 APVD G. TURCO 12SEP2008	Tyco Electronics AMP Italia S.r.l. C.so F.lli Cervi, 15 - Collegno (TO)
DIMENSIONS: mm 	TOLERANCES UNLESS OTHERWISE SPECIFIED: 0 PLC ±0.5 1 PLC ±0.3 2 PLC ±0.1 3 PLC ± 4 PLC ± ANGLES ±3°	PRODUCT SPEC - APPLICATION SPEC - WEIGHT -	NAME 4 POS. LOW VOLTAGE SMD MALE CONNECTOR SIZE A3 CAGE CODE 00779 DRAWING NO C-293415 RESTRICTED TO -
MATERIAL	FINISH	CUSTOMER DRAWING	SCALE 5:1 SHEET 2 OF 2 REV BI