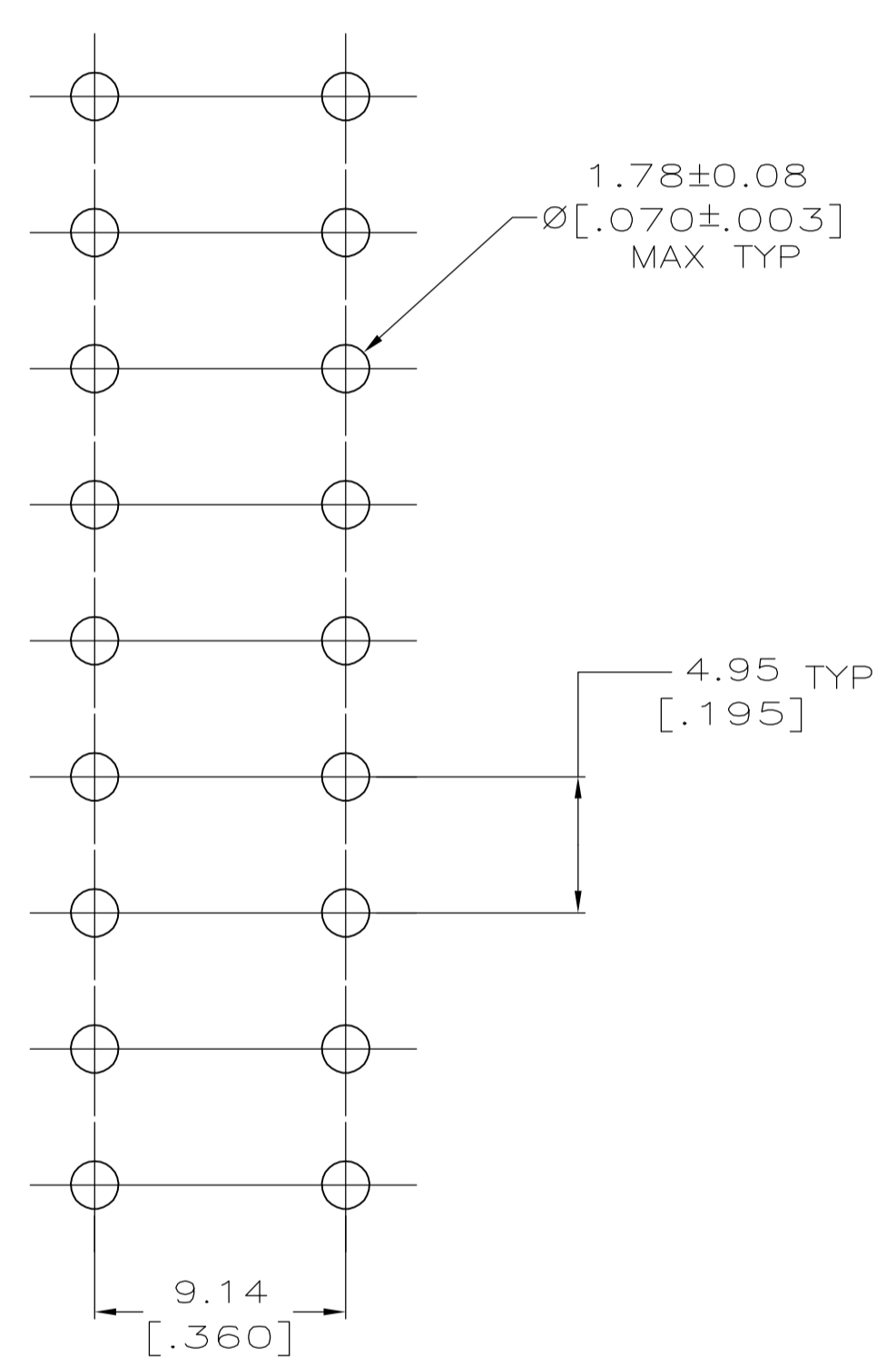
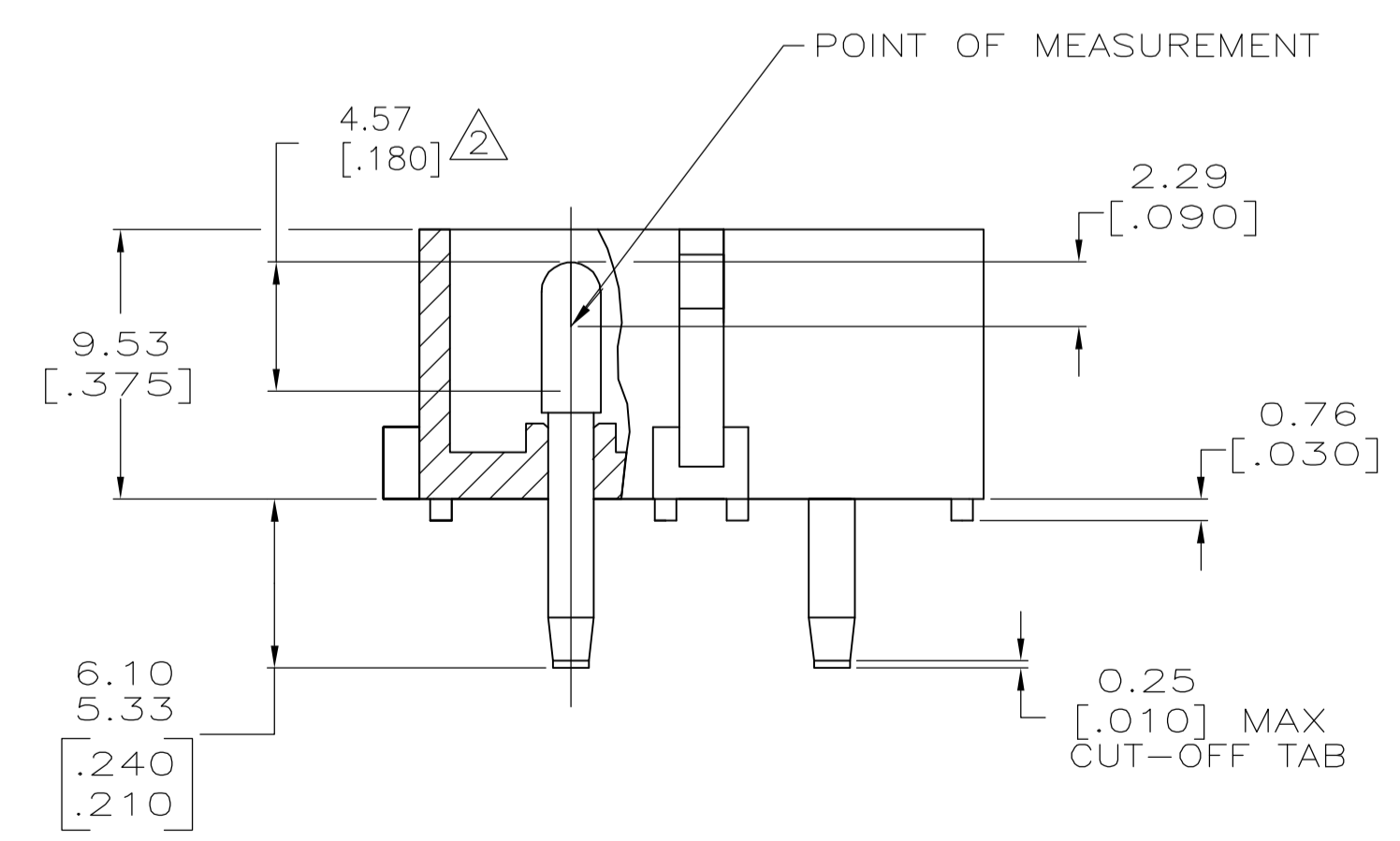
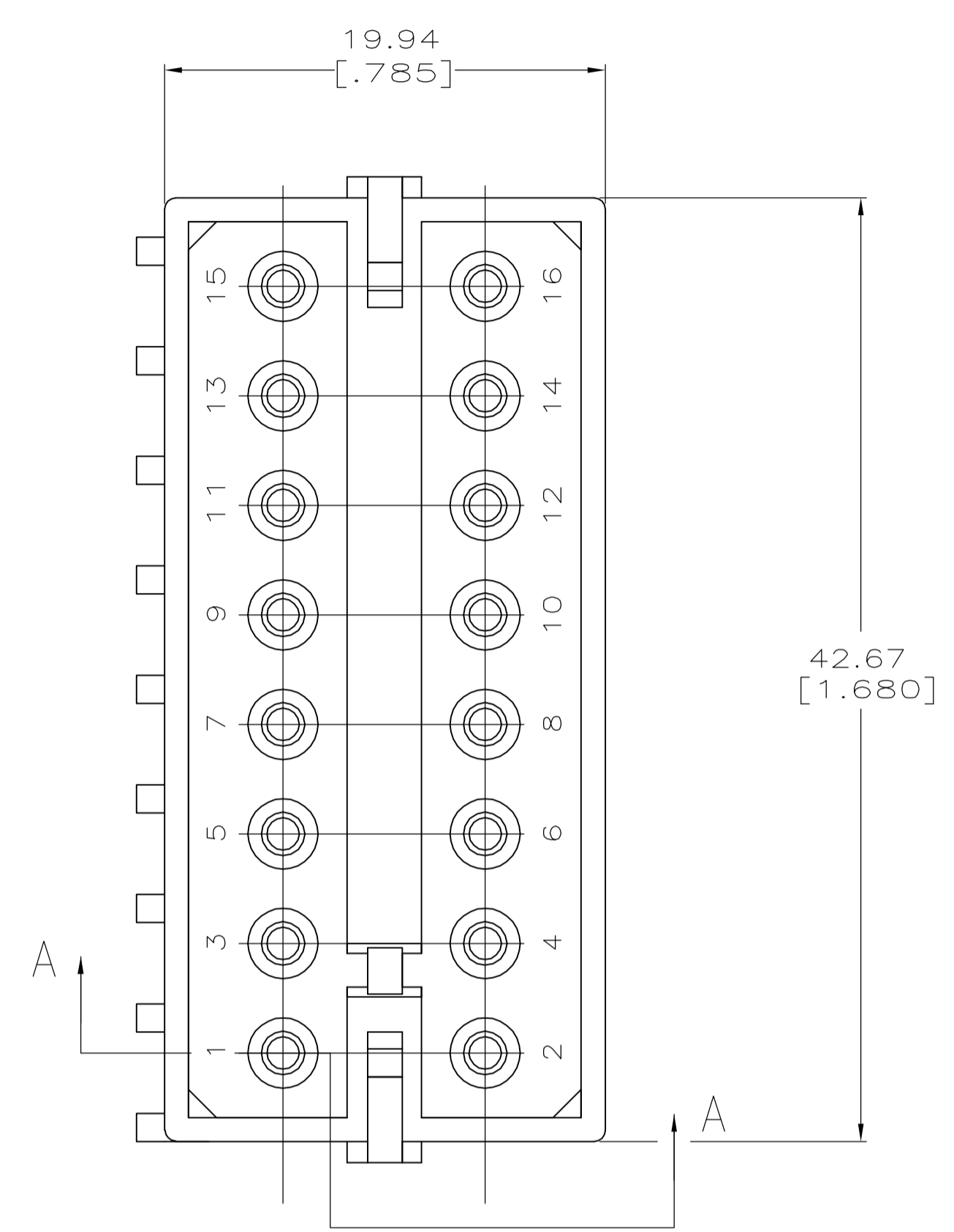


LOC		DIST		REVISIONS			
P	LTR	DESCRIPTION	DATE	DNW	APVD	SS	DC
0		REVISED PER 063B-1133-04	7/28/05	SS	DC		

- PARTS MUST COMPLY WITH AMP SOLDERABILITY SPECIFICATION 109-11-3.
- CONTACT IS PLATED OVERALL WITH 0.00127 [.000050] NICKEL, THEN 0.00076 [.00030] GOLD OVER CONTACT LENGTH INDICATED AND MATTE TIN ON SOLDER TAIL END.
- DIMENSIONS IN BRACKETS ARE IN INCHES.



RECOMMENDED MOUNTING HOLE PATTERN FOR 3.18 [.125] THICK P.C. BOARD



SECTION A-A

COPPER ALLOY, GOLD Δ		NYLON, 6/6, NATURAL	1586529-2
FINISH		MATERIAL	PART NUMBER
THIS DRAWING IS A CONTROLLED DOCUMENT.		DIN S SCHLEGEL 7/28/05	Tyco Electronics Corporation Harrisburg, Pa 17105-3608
DIMENSIONS: mm [INCHES]		CHK D COLEY 7/28/05	
TOLERANCES UNLESS OTHERWISE SPECIFIED:		APVD D COLEY 7/28/05	NAME: HEADER ASSEMBLY, 16 CIRCUIT, COMMERCIAL MATE-N-LOK
0 PLC ± -		PRODUCT SPEC	
1 PLC ± -		APPLICATION SPEC	SIZE: A1
2 PLC ± 0.13 [.005]		WEIGHT: -	SCALE: 4:1
3 PLC ± -		RESTRICTED TO: -	SHEET 1 OF 1
4 PLC ± -		CUSTOMER DRAWING	REV 0
ANGLES ± -			
FINISH: SEE TABLE			