

PRODUCT NUMBER
76745-YXX-XXLF

- RoHS COMPATIBLE, SEE NOTE 8
- TOTAL NB OF POS (04 TO 72 POS)
- OPTION LETTER, SEE NOTE 6
- PIN STYLE

PLATING

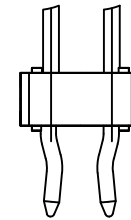
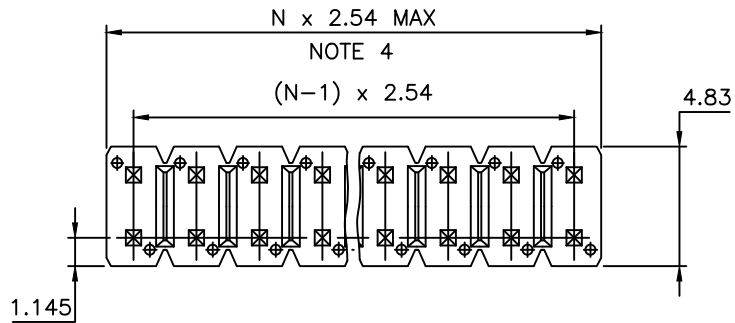
- 1 = 0.76µm GOLD/GXT,
- 3 = 2µm MIN MATTE TIN FULL PLATED
- 5 / 8 = 0.38µm GOLD/GXT
- 1.27µm Ni MIN UNDERPLATING

NOTES:

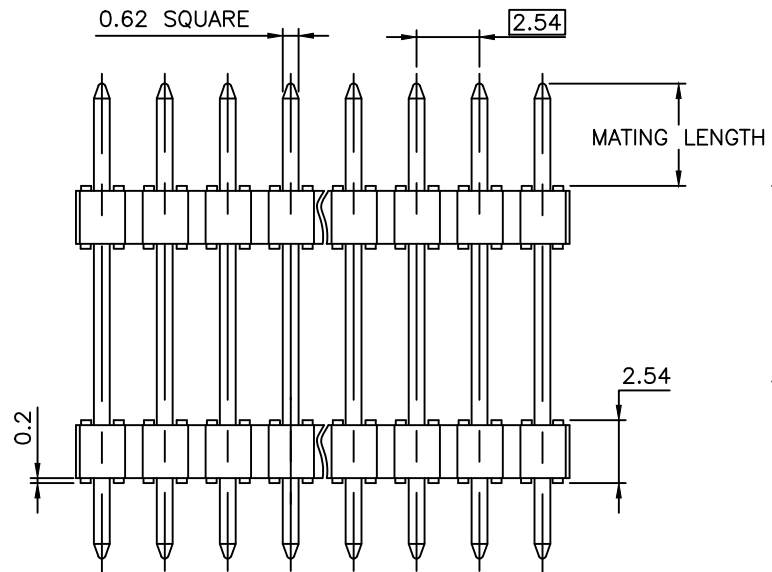
1. HOUSING MAT'L : HIGH TEMPERATURE THERMOPLASTIC. UL94V-0 COLOR: BLACK.
2. PIN MATERIAL : PHOSPHOR BRONZE.
3. 12N MIN RETENTION IN EITHER DIRECTION.
4. TO DETERMINE DIMENSIONS :
N = NUMBER OF POSITIONS PER ROW
EXAMPLE : 8 POS PER ROW, N x 2.54 = 20.32mm
5. FOR STANDARD SELECTIVE GOLD PLATED PRODUCTS SEE DRAWINGS 54111 & 54121.
6. OPTION LETTER :
- = STANDARD PACKAGING IN POLYBAG
V = POLYBAGS PACKAGING FOR CUSTOMER DEDICATED PART
B = TUBE WITH PICK UP CAP AS AVAILABLE
7. RETENTION IS APPLIED TO TWO ADJACENT PINS AT EACH END OF THE PRODUCT SEE SCHEMA 1
OMIT FROM PRODUCT NUMBER IF THIS FEATURE IS NOT APPLICABLE

8. RoHS COMPATIBLE PRODUCT SPECIFICATIONS

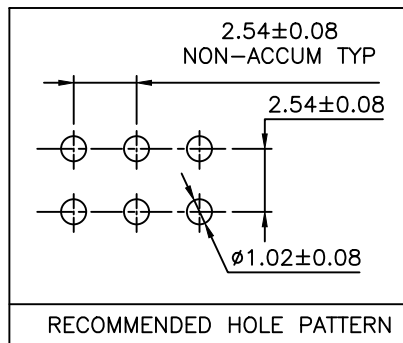
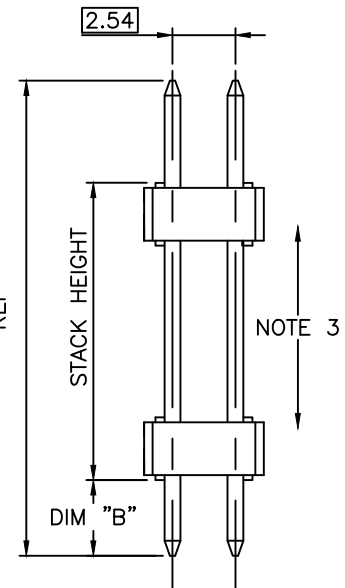
- a - PLATING:
- "LF" MEANS THE PRODUCT IS LEAD-FREE, 2µm MINIMUM MATTE TIN OVER 1.27µm MINIMUM NICKEL UNDERPLATE.
- b - MANUFACTURING PROCESS COMPATIBILITY
- THE HOUSING WILL WITHSTAND EXPOSURE TO 260°C ±5°C SOLDER BATH TEMPERATURE FOR WITH A 1.6mm MIN THICK CIRCUIT BOARD.
- c - LABELING:
- MEETS PACKAGING SPECS AS PER GS-14-920
- d - LEGAL STATEMENT: SEE GS-47-0004



SCHEMA 1
TWO RETENTION PIN AT EACH END OF THE PRODUCT



OAL (OVERALL LENGTH) REF



mat'l. code		surface		tolerance		projection		product family	
SEE NOTES		ISO 1302		ISO 406 ISO 1101		mm		BSTIK	
lfr	ecn no	dr	date	tolerances unless otherwise specified				title	
FF	B-19782	AMA	14.12.18	angles	xx ±0.3			HEADER STR,DR	
FG	B-20322	AMA	15.01.27	linear	xx ±0.13			DOUBLE BODY	
FH	F-22479	BVE	15.11.12		xxx ±0.05	scale 5:1		dwg no	
FK	F-28617	DDE	17.11.27	dr	NIZZI P	94.05.05		sheet 1 of 4	
				enrg	COMPAGNON J	95.12.05		size	
FD	B-19264	LMU	14.11.03	chr				76745	
FE	B-19345	LMU	14.11.07	appd	JMC	95.12.05		A3	
sheet	revision	FK	CC	F	A			type	
index	sheet	1	2	3	4			CUSTOMER Drawing	



1 | 2 | 3 | 4 | 5 | 6

APPLICATION SPECIFIC				
PIN STYLE	MATING LENGTH ±0.2	STACK HEIGHT ±0.25	"B" ±0.25	("OAL") REF
01	8.71	19.76	2.65	31.12
02	6.87	16.5	3.05	26.42
03	6.87	13.0	3.63	23.5
04	5.6	6.5	2.88	14.98
05	5.51	8.0	3.05	16.56
06	6.61	11.3	3.05	20.96
07	5.58	10.3	2.54	18.42
08	5.81	7.7	3.05	16.56
09	5.72	5.08	2.54	13.34
10	6.9	10.45	2.71	20.06
11	11.2	9.5	2.8	23.5
13	9.07	6.3	3.05	18.42
14	5.33	21.5	2.48	29.31
17	7.5	23.45	3.05	34.0
19	9.5	10.45	3.55	23.5
21	11.96	18.5	3.2	33.66
23	9.0	25.9	3.05	37.95
24	8.87	14.5	3.05	26.42
25	9.84	11.43	9.85	31.12
28	6.6	8.25	2.8	17.65
29	9.1	15.7	3.2	28.0
34	8.0	12.0	3.0	23.0
36	10.55	7.5	10.53	28.58
40	7.0	6.5	3.06	16.56
55	13.0	20.0	3.2	36.2
57	11.78	5.08	3.23	20.06
58	23.0	8.5	5.5	36.97
59	9.0	18.2	9.0	36.2
62	9.2	9.3	3.5	22.0
68	6.75	8.0	2.9	17.65
71	6.8	5.2	2.69	14.69
79	9.95	39.0	3.05	52.0
80	5.68	7.0	2.3	15.0
88	10.8	8.0	3.7	22.5
AN	10.0	29.0	3.0	42.0
BD	11.7	13.5	3.21	28.41
BM	11.5	11.5	3.04	26.04
BT	8.5	35.0	8.5	52.0
CB	9.0	30.0	3.0	42.0
CD	9.24	12.0	9.24	30.48

SEE SHEET 3

APPLICATION SPECIFIC				
PIN STYLE	MATING LENGTH ±0.2	STACK HEIGHT ±0.25	"B" ±0.25	("OAL") REF
CF	8.25	16.0	8.25	32.5
CG	6.0	40.0	6.0	52.0
CH	11.02	12.0	3.02	26.04
CN	7.08	5.60	7.08	19.77
CP	9.50	7.00	2.41	18.91
CT	11.0	6.0	11.0	28.0
CU	9.75	13.0	9.75	32.5
CV	9.44	13.00	3.60	26.04
CW	5.00	36.00	5.00	46.00
CX	10.00	26.00	6.00	42.00
CY	10.9	18.20	10.9	40.00
CZ	5.5	23.00	5.50	34.00
DA	13.00	14.50	6.50	34.00
DB	12.75	8.50	12.75	34.00
DC	SEE SHEET 3			
DE	6.00	34.00	6.00	46.00
DF	9.12	7.80	9.12	26.04
DG	3.50	43.00	3.50	50.00
DH	6.50	8.00	6.50	21.00
DJ	5.80	17.75	5.80	29.31
DK	5.40	9.00	2.90	17.30
DL	9.00	8.50	6.00	23.50
DM	7.40	23.70	3.30	34.40
DN	7.40	12.10	3.30	22.80
DP	8.00	16.80	5.40	30.20
DR	6.40	15.00	6.40	27.80
DS	7.00	29.00	7.00	43.00
DT	9.80	27.40	9.80	47.00
DU	9.50	36.50	9.50	55.50
DV	9.30	6.30	5.80	22.00
DW	5.30	40.40	3.30	49.00

SEE SHEET 3

SEE SHEET 3

APPLICATION SPECIFIC				
PIN STYLE	MATING LENGTH ±0.2	STACK HEIGHT ±0.25	"B" ±0.25	("OAL") REF
DX	6.50	12.50	6.50	25.50
DY	6.50	9.50	6.50	22.50
EA	6.65	32.30	3.05	42.00
EB	2.66	15.00	5.84	23.50
EC	10.00	39.60	2.40	52.00
ED	5.40	57.20	2.40	65.00
EF	5.84	46.50	3.05	55.40
EG	5.60	20.00	5.64	31.24
EH	4.60	15.00	1.50	21.10
EJ	9.26	5.08	9.26	23.60
EK	6.00	7.50	6.00	19.50
EL	6.00	12.30	4.10	22.40
EM	9.00	9.30	6.21	24.51
EN	5.75	26.90	5.75	38.40



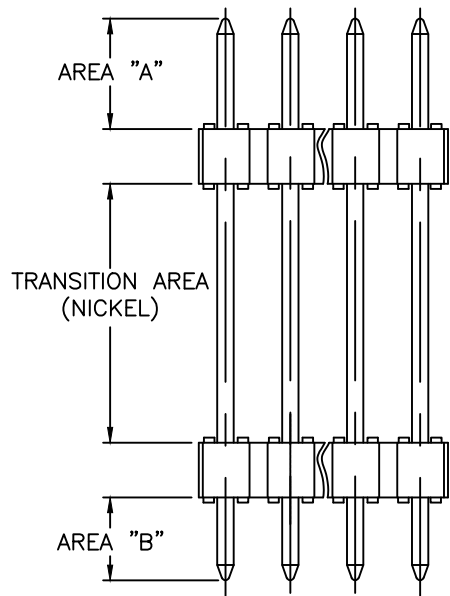
FCIconnect.com

Copyright FCI

mat'l. code		surface		tolerance		projection		product family	
		ISO 1302 ✓		ISO 406 ISO 1101				BSTIK	
ltr ecn no dr date		tolerances unless otherwise specified		angles		mm		title	
CB B-20322 AMA 15.01.27				linear				HEADER STR,DR	
CC F-28617 DDE 17.11.27								DOUBLE BODY	
BW F11-0045 LMU 11.04.04		dr COMPAGNON J 94.05.05				scale		dwg no sheet 2 of 4 size	
BX F12-0090 JFA 12.12.07		enr JMC 95.08.28						76745 A3	
BY B-16665 LMU 14.01.06		chr						type CUSTOMER Drawing	
CA B-1345 LMU 14.11.07		appd JMC 95.08.28							
sheet index		revision sheet							

form: A3

1 | 2 | 3 | 4 | 5 | 6



SPECIFICS PLATING AREA FOR PART NUMBERS :

- P/N 76745-1CH-10LF
- P/N 76745-1CH-18LF
- P/N 76745-579R24LF
- P/N 76745-579R30LF
- P/N 76745-1CU-20LF
- P/N 76745-1DF-26LF

AREA "A" & "B" : GOLD/GXT PLATING AREA



Copyright FCI

mat'l. code		surface		tolerance		projection		product family			
		ISO 1302		ISO 406 ISO 1101				BSTIK			
ltr	ecn no	dr	date	tolerances unless otherwise specified				title			
A	F06-110	LMU	06.01.26	angles	Linear			HEADER STR,DR DOUBLE BODY			
B	F06-0196	LMU	06.06.20			scale		dwg no			
C	F07-0266	J.CO	07.10.15					sheet 3 of 4 size			
D	F12-0023	LMU	12.06.06	dr	L.MULIN	06.01.31			76745 A3		
E	F12-0090	JFA	12.12.07	enrg	J.COMPAGNON	06.01.31			type		
F	B-16665	LMU	14..01.06	chr			CUSTOMER		Drawing		
sheet index		revision sheet		appd		JMC		06.01.31			

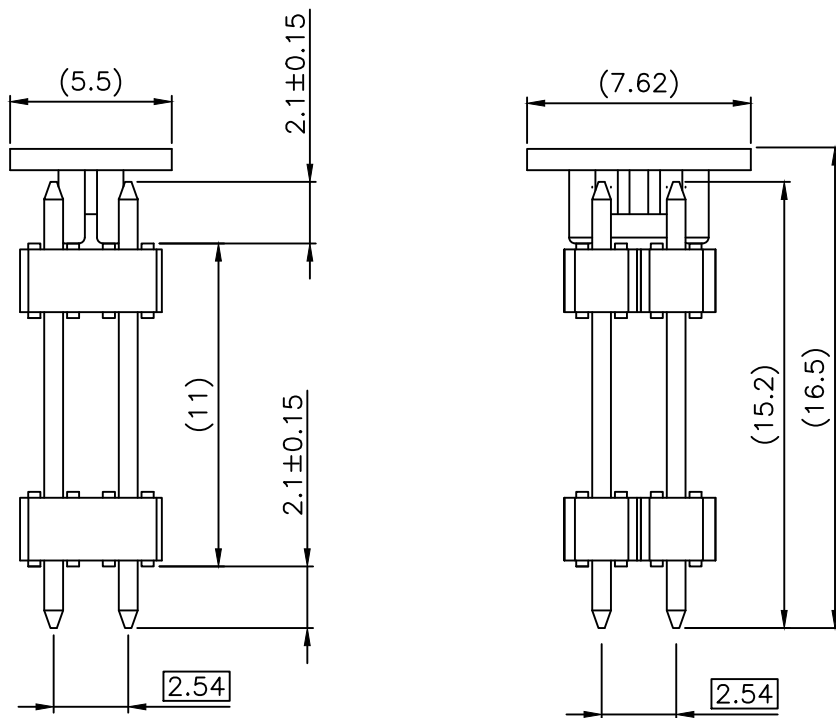
SPECIFIC PRODUCT NUMBER

76745-3DCA04LF

- RoHs COMPLIANT
- TOTAL NB OF POS
- PACKAGING TYPE, SEE NOTE 1
- PIN STYLE
- PLATING
3 = 2µm MATTE TIN
OVER 1.27µm Ni MIN

NOTES :

1. PACKAGING : A = TAPE & REEL PACKAGING WITH PICK UP CAP INSTALLED SEE TA 840
2. PRODUCT COMPATIBLE WITH REFLOW PROCESS. 255°C PEAK TEMPERATURE 10-40 SECONDES IN A CONVECTION, INFRA-RED OR VAPOR PHASE



FCIconnect.com

Copyright FCI

mat'l. code		surface		tolerance		projection		product family	
		ISO 1302 ✓		ISO 406 ISO 1101				BSTIK	
ltr	ecn no	dr	date	tolerances unless otherwise specified				title	
A	B-16665	LMU	14.01.06	angles	linear	mm		HEADER STR,DR DOUBLE BODY	
		dr	L.MULIN	13.02.18	scale		dwg no		sheet 4 of 4
		enr	J.COMPAGNON	13.02.18			76745		A3
		chr					type		CUSTOMER Drawing
		appd	JMC	13.02.18					
sheet index	revision sheet								