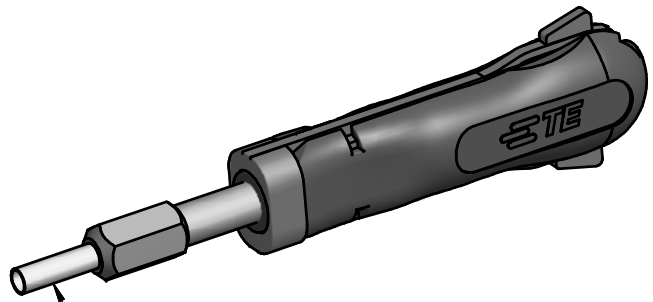
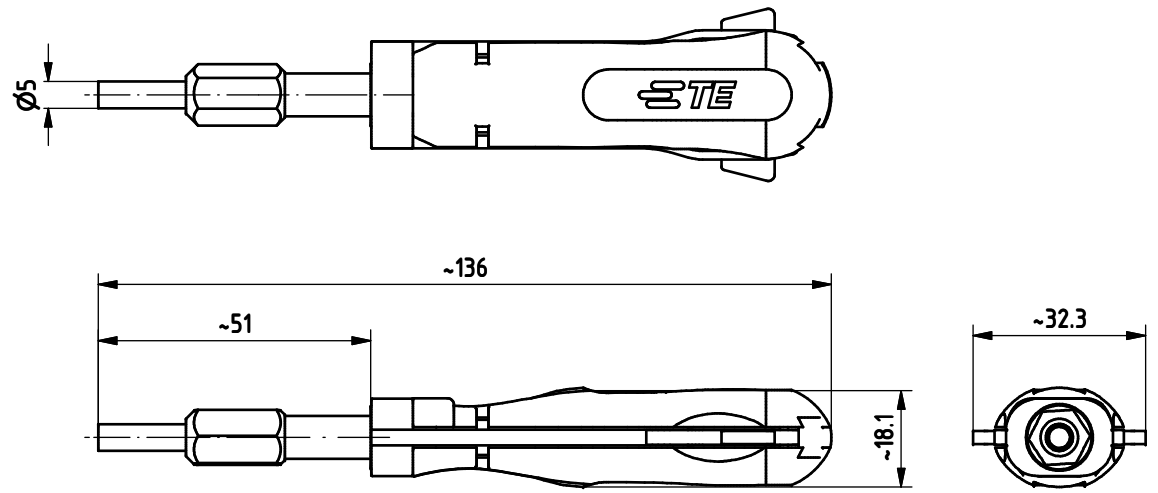


LOC	DIST	REVISIONS					
AI	00	P	LTR	DESCRIPTION	DATE	DWN	APVD
		B2		ECR-16-009527	01JUL16	KH	RG

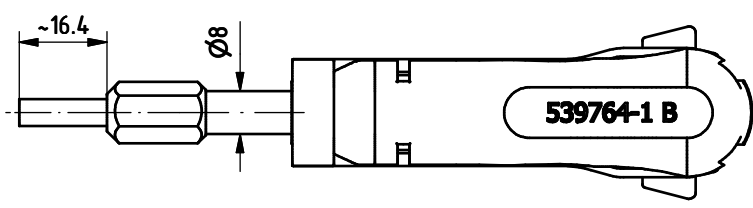


SPARE PART / Ersatzteil  
 TE- P/N 5-1579007-9



**APPLICATION RANGE / Anwendungsbereich:**

Contact MNL Ø 3.5mm      925712



<b>THIS DRAWING IS A CONTROLLED DOCUMENT.</b>		DWN	J. Zajicek	16 JAN03	TE Connectivity <b>EXTRACTION TOOL</b> <b>Entriegelungswerkzeug</b>			
DIMENSIONS: mm		CHK	J. Zajicek	16 JAN03				
		APVD	J. Zajicek	16 JAN03				
TOLERANCES UNLESS OTHERWISE SPECIFIED: 0 PLC ± 1 PLC ±±± 2 PLC ±±±± 3 PLC ±±±±± 4 PLC ±±±±±± ANGLES ±		PRODUCT SPEC						
MATERIAL	FINISH	APPLICATION SPEC			SIZE	CAGE CODE	DRAWING NO	RESTRICTED TO
		Gewicht / Weight in Kg	0.025		A3	00779	539764-1	
CUSTOMER DRAWING					SCALE	1:1	SHEET	1 OF 1
					REV	B2		